

QAGK

SSMP to 2.92mm

Features:
* Low VSWR

Applications:
* Wireless
* Transmitter
* Laboratory Test
* Radar

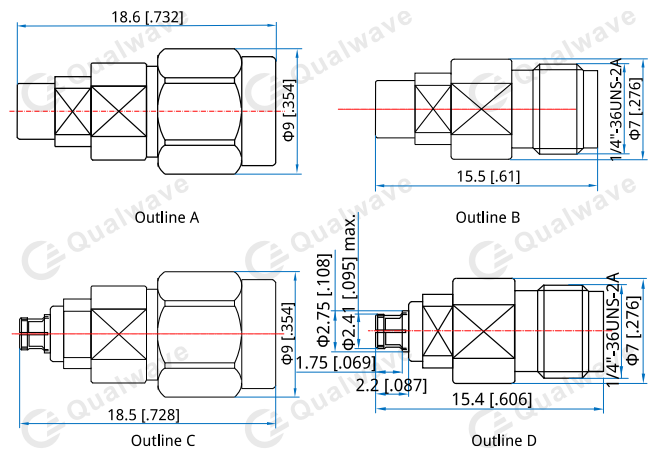
Electrical

Frequency:	DC~40GHz
VSWR:	1.25 max.
Insertion loss:	0.08dB max.
Impedance of Dielectric:	5000MΩ min. 3000MΩ min. (Outline D)
Dielectric Withstanding:	500Vrms
Impedance of Contact (Center):	4mΩ max.
(Outer):	2.5mΩ max.
Impedance:	50Ω

Mechanical

RF Connectors:	SSMP 2.92mm
Mating Life Cycle:	100 cycles
Outer Conductor:	Passivated Stainless Steel (Outline A, B) Passivated Stainless Steel & Gold Plated Beryllium Copper
Dielectric:	PEI
Inner Conductor:	Gold Plated Beryllium Copper

Outline Drawings



Unit: mm [in]

Tolerance: ±0.2mm [±0.008in]

How To Order

QAGK-MM - SSMP (m) to 2.92mm (m), Outline A

QAGK-MF - SSMP (m) to 2.92mm (f), Outline B

QAGK-FM - SSMP (f) to 2.92mm (m), Outline C

QAGK-FF - SSMP (f) to 2.92mm (f), Outline D

Customization is available upon request.