

QAL1L1

L16 to L16

Features:
* Low VSWR

Applications:
* Wireless
* Transmitter
* Laboratory Test
* Radar

Electrical

Frequency: DC~18GHz
VSWR: 1.2 max.
Impedance: 50Ω

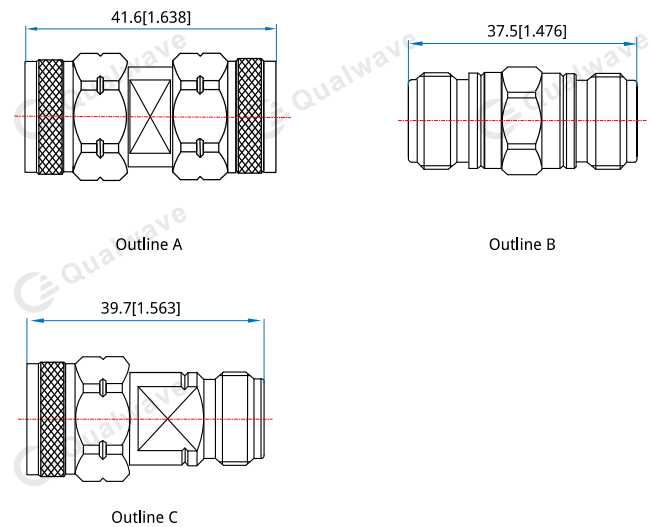
Mechanical

RF Connectors: L16
Mating Life Cycle: 500 cycles
Outer Conductor: Passivated Stainless Steel
Dielectric: PEI
Inner Conductor: Gold Plated Beryllium Copper

Environmental

Temperature: -55~+165°C

Outline Drawings



Unit: mm [in]
Tolerance: ±0.2mm [±0.008in]

How To Order

QAL1L1-MM - L16(m) to L16(m), Outline A

QAL1L1-FF - L16(f) to L16(f), Outline B

QAL1L1-MF - L16(m) to L16(f), Outline c

Customization is available upon request.