

## QAL2L2

### L12 to L12

Features:  
\* Low VSWR

Applications:  
\* Wireless  
\* Transmitter  
\* Laboratory Test  
\* Radar

#### Electrical

Frequency: DC~6GHz  
VSWR: 1.2 max.  
Impedance: 50Ω

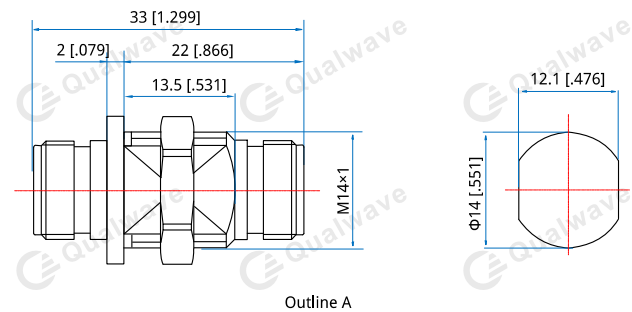
#### Mechanical

RF Connectors: L12  
Mating Life Cycle: 500 cycles  
Outer Conductor: Ternary alloy plated brass  
Dielectric: PTFE  
Inner Conductor: Gold plated beryllium copper

#### Environmental

Temperature -55~+165°C

#### Outline Drawings



Unit: mm [in]

Tolerance: ±0.2mm [±0.008in]

#### How To Order

**QAL2L2H-FF** - L12(f) to L12 (f), Flange mount, Outline A

Customization is available upon request.