

QAMVV

NMD 1.85mm to 1.85mm

Features:
* Low VSWR

Applications:
* Wireless
* Transmitter
* Laboratory Test
* Radar

Electrical

Frequency: DC~67GHz
VSWR: 1.3 max.
1.25 max. (Outline C)
Impedance: 50Ω

Mechanical

RF Connectors: NMD 1.85mm
1.85mm
Mating Life Cycle: 500 cycles
3000 cycles min. (Outline C)
Outer Conductor: Passivated stainless steel
Gold plated beryllium copper &
Gold plated brass (Outline C)
Dielectric: PEI
CPS (Outline C)
Inner Conductor: Gold plated beryllium copper

Environmental

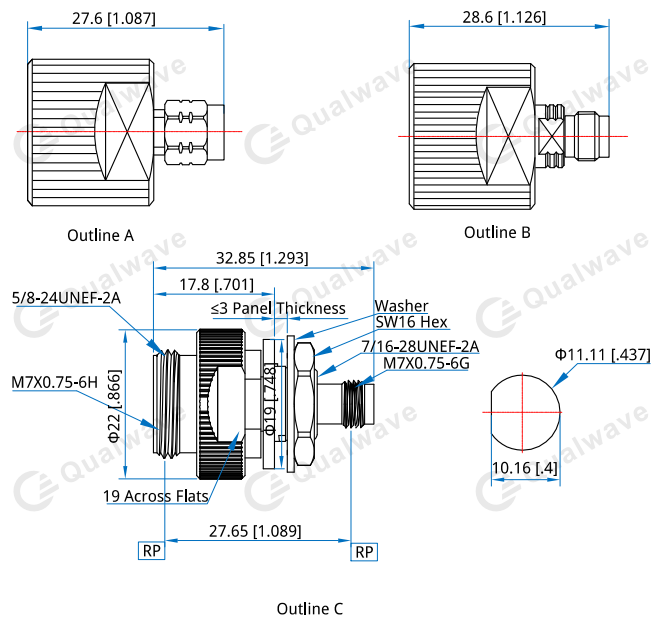
Temperature: -55~+165°C
-55~+85°C (Outline C)

How To Order

QAMVV-FM - NMD 1.85mm(f) to 1.85mm(m), Outline A
QAMVV-FF - NMD 1.85mm(f) to 1.85mm(f), Outline B
QAMVVH-MF - NMD 1.85mm(m) to 1.85mm(f), bulk head, Outline C

Customization is available upon request.

Outline Drawings



Unit: mm [in]
Tolerance: ±0.2mm [±0.008in]