

# QANF

## N to F Inch Thread

Features:  
\* Low VSWR

Applications:  
\* Wireless  
\* Transmitter  
\* Laboratory Test  
\* Radar

### Electrical

Frequency:	DC~1GHz
VSWR:	1.25 max.
Voltage Withstand:	1000V RMS, 50Hz, at sea level min.
Impedance of Dielectric:	5000MΩ min.
Impedance of Contact (Center):	1mΩ max. (N) 10mΩ max. (F Inch Thread)
Impedance of Contact (Outer):	0.2mΩ max. (N) 5mΩ max. (F Inch Thread)
Impedance:	50~75Ω

### Mechanical

RF Connectors:	N F Inch Thread
Mating Life Cycle:	500 cycles min.
Outer Conductor:	Nickel plated brass
Dielectric:	PTFE
Inner Conductor:	Gold plated brass

### How To Order

**QANF-MM** - N(m) to F Inch Thread(m), Outline A

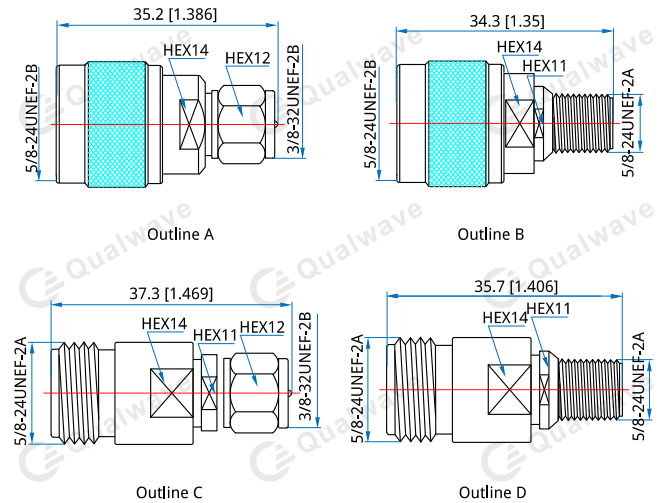
**QANF-MF** - N(m) to F Inch Thread(f), Outline B

**QANF-FM** - N(f) to F Inch Thread(m), Outline C

**QANF-FF** - N(f) to F Inch Thread(f), Outline D

Customization is available upon request.

### Outline Drawings



Unit: mm [in]  
Tolerance: ±0.2mm [±0.008in]