

# QANL1

## N to L16

Features:  
\* Low VSWR

Applications:  
\* Wireless  
\* Transmitter  
\* Laboratory Test  
\* Radar

### Electrical

Frequency: DC~18GHz  
VSWR: 1.2 max.  
Impedance: 50Ω

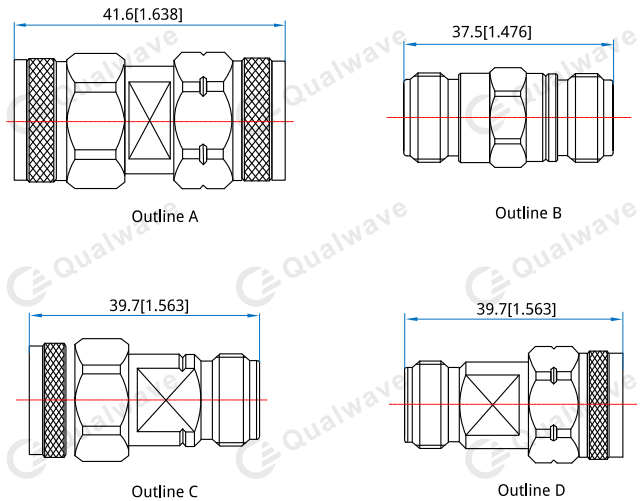
### Mechanical

RF Connectors: N  
L16  
Mating Life Cycle: 500 cycles  
Outer Conductor: Passivated Stainless Steel  
Dielectric: PEI  
Inner Conductor: Gold Plated Beryllium Copper

### Environmental

Temperature: -55~+165°C

### Outline Drawings



Unit: mm [in]  
Tolerance: ±0.2mm [±0.008in]

### How To Order

**QANL1-MM** - N(m) to L16(m), Outline A  
**QANL1-FF** - N(f) to L16(f), Outline B  
**QANL1-MF** - N(m) to L16(f), Outline c  
**QANL1-FM** - N(f) to L16(m), Outline D

Customization is available upon request.