

QANQ

N to QMA

Features:
* Low VSWR

Applications:
* Wireless
* Transmitter
* Laboratory Test
* Radar

Electrical

Frequency:	DC~6GHz
VSWR:	1.2 max.
Voltage Withstand:	1000V DC
Impedance of Dielectric:	5000MΩ min.
Impedance:	50Ω

Mechanical

RF Connectors:	N
	QMA
Mating Life Cycle:	500 cycles
Outer Conductor:	Ternary alloy plated brass
Dielectric:	PTFE
Inner Conductor:	Gold Plated beryllium copper

Environmental

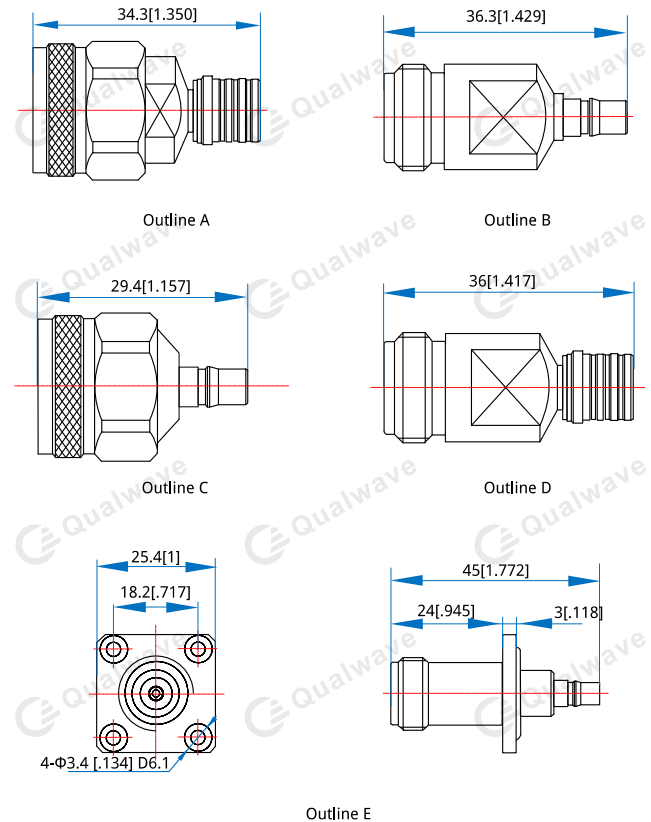
Temperature:	-55~+165°C
--------------	------------

How To Order

- QANQ-MM** - N(m) to QMA(m), Outline A
- QANQ-FF** - N(f) to QMA(f), Outline B
- QANQ-MF** - N(m) to QMA(f), Outline C
- QANQ-FM** - N(f) to QMA(m), Outline D
- QANQL-FF** - N(f) to QMA(f), Flange mount, Outline E

Customization is available upon request.

Outline Drawings



Unit: mm [in]
Tolerance: ±0.2mm [±0.008in]