

QAS1S1 SHV to SHV

Features:
* Low VSWR

Applications:
* Wireless
* Transmitter
* Laboratory Test
* Radar

Electrical

Frequency:	DC~0.3GHz
Dielectric Withstanding Voltage:	5000V RMS, 50Hz, at sea level, min.
Working Voltage:	3500V RMS, 50Hz, at sea level, max. (Outline C)
Impedance of Dielectric:	5000MΩ min.
Impedance of Contact (Center):	3mΩ max. (2mΩ max.(Outline A, D))
Impedance of Contact (Outer):	3mΩ max. (1mΩ max.(Outline A, D))
Impedance:	50Ω

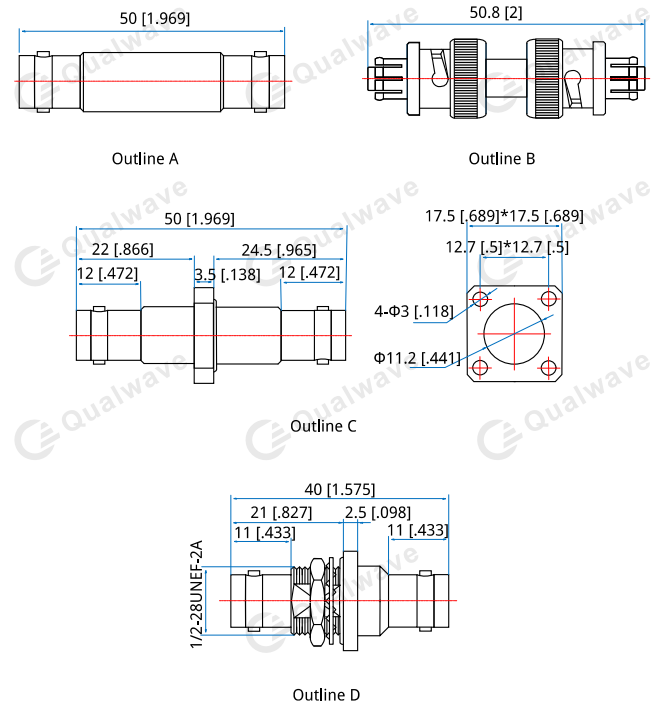
Mechanical

RF Connectors:	SHV
Mating Life Cycle:	500 cycles min.
Outer Conductor:	Nickel plated brass
Dielectric:	PTFE
Inner Conductor:	Gold plated brass

Environmental

Temperature:	-45~+125°C
--------------	------------

Outline Drawings



Unit: mm [in]

Tolerance: ±0.2mm [±0.008in]

How To Order

QAS1S1-MM - SHV (m) to SHV (m), Outline A

QAS1S1-FF - SHV (f) to SHV (f), Outline B

QAS1S1L-MM - SHV (m) to SHV (m) flange mount, Outline C

QAS1S1H-MM - SHV (m) to SHV(m) bulk head, Outline D

Customization is available upon request.