

QASI-B SMA to BMA

Features:
* Low VSWR

Applications:
* Wireless
* Transmitter
* Laboratory Test
* Radar

Electrical

Frequency:	DC~6GHz DC~18GHz (Outline E, F)
VSWR:	1.15 max. 1.25 max.(Outline E)
Impedance:	50Ω

Mechanical

RF Connectors:	SMA BMA
Mating Life Cycle:	500 cycles
Outer Conductor:	Gold plated brass or Ternary alloy plated brass
Dielectric:	PTFE
Inner Conductor:	Gold plated beryllium copper

Environmental

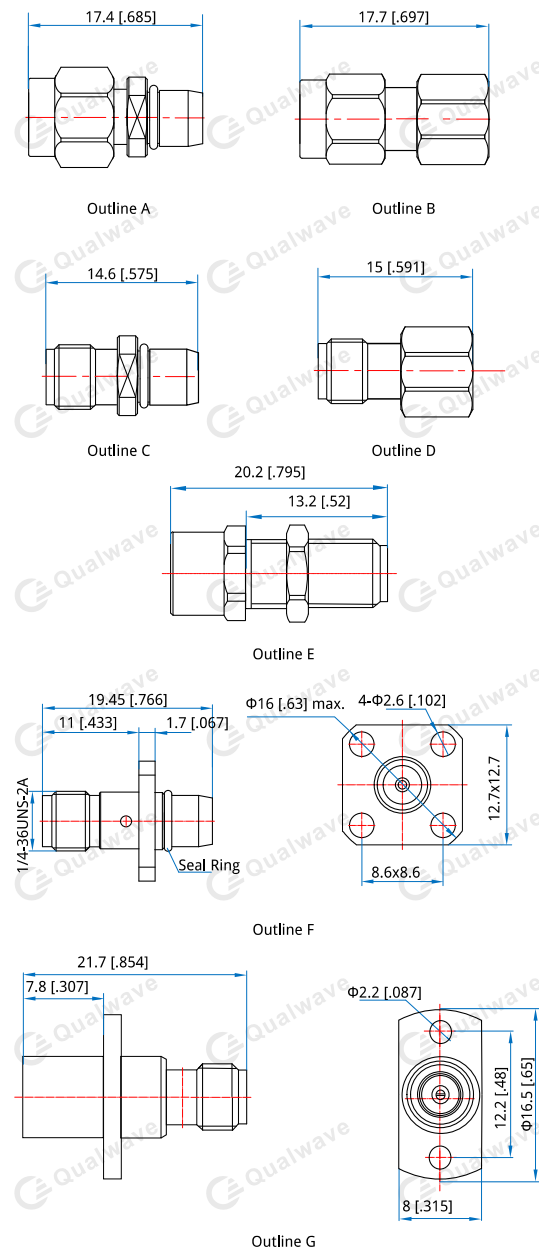
Temperature: -55~+165°C

How To Order

- QASI-MM-B** - SMA(m) to BMA(m), Outline A
- QASI-MF-B** - SMA(m) to BMA(f), Outline B
- QASI-FM-B** - SMA(f) to BMA(m), Outline C
- QASI-FF-B** - SMA(f) to BMA(f), Outline D
- QASIH-FF-B** - SMA(f) to BMA(f), Bulk head, Outline E
- QASIL-FM-B** - SMA(f) to BMA(m), Flange mount, Outline F
- QASIL-FF-B-02** - SMA(f) to BMA(f), Flange mount, two holes, Outline G

Customization is available upon request.

Outline Drawings



Unit: mm [in]
Tolerance: $\pm 0.2\text{mm}$ [$\pm 0.008\text{in}$]