

QAST SMA to TNC

Features:
* Low VSWR

Applications:
* Wireless
* Transmitter
* Laboratory Test
* Radar

Electrical

Frequency: DC~18GHz
 VSWR: 1.2max.
 VSWR: 1.25max. (Outline E)
 1.3max. (Outline F)
 Impedance: 50Ω

Mechanical

RF Connectors: SMA
 TNC
 Outer Conductor: Passivated stainless steel
 Passivated SUS303 stainless steel. (Outline E)
 Dielectric: PEI & PTFE or PTFE
 Inner Conductor: Gold plated beryllium copper

Environmental

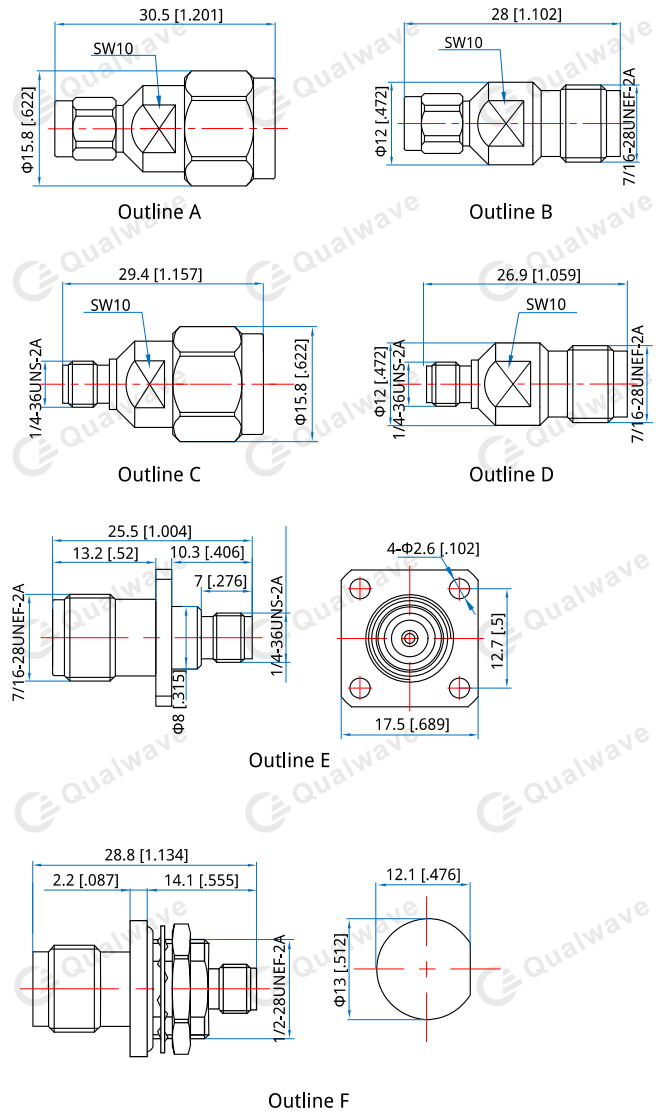
Temperature: -50~+85°C
 -55~+165°C(bulk head)

How To Order

- QAST-MM** - SMA (m) to TNC (m), Outline A
- QAST-MF** - SMA (m) to TNC (f), Outline B
- QAST-FM** - SMA (f) to TNC (m), Outline C
- QAST-FF** - SMA (f) to TNC (f), Outline D
- QASTL-FF** - SMA (f) to TNC (f), Flange mount, Outline E
- QASTH-FF** - SMA (f) to TNC (f), Bulk head, Outline F

Customization is available upon request.

Outline Drawings



Unit: mm [in]
 Tolerance: ±0.2mm [±0.008in]