

QCC1215C

High Power, High Isolation

Features:
 * High Power
 * High Isolation
 * Low Insertion Loss
 * Low VSWR

Applications:
 * Wireless
 * Radar
 * Laboratory Test

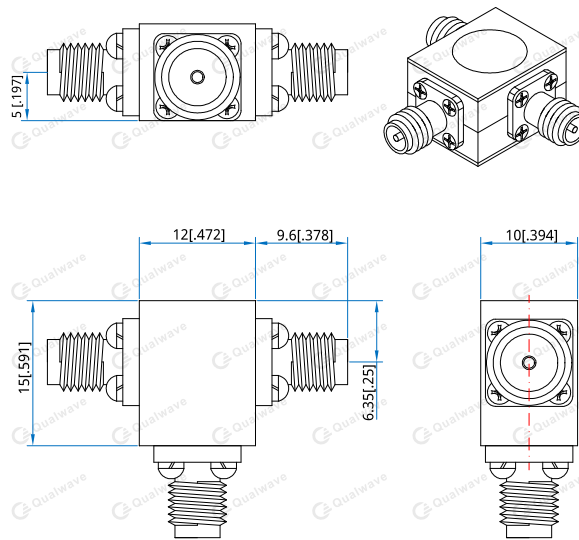
Description

QCC1215C series Coaxial Circulators cover frequency range 9~16.5GHz. High power, high isolation and low insertion loss make it ideal for a lot of applications like amplifiers, transceivers, etc.

Specifications

Frequency (MHz)	Bandwidth (MHz)	IL (dB Max.)	Isolation (dB Min.)	VSWR (Max.)	Average Power (W)	Connector	Temperature (°C)
9300~9500	200	0.40	20.0	1.25	30	SMA	-30~+75
10500~12500	2000	0.50	18.0	1.3	30	SMA	-30~+75
10700~12800	2100	0.50	18.0	1.3	30	SMA	-30~+75
12700~14900	2200	0.50	18.0	1.3	30	SMA	-30~+75
14500~16500	2000	0.50	18.0	1.3	30	SMA	-30~+75

Outline Drawings



Unit: mm [inch] Tolerance: ±0.2mm [±0.008in]

Mechanical

Size*1: 12*15*10mm
 0.472*0.591*0.394in

[1] Exclude connectors

Connector Naming Rules:

S - SMA Female

Direction Naming Rules:

- 1 - Clockwise
- 2 - Anticlockwise

How To Order

QCC1215C-V-W-X-Y-Z

V: Start frequency in MHz

W: Stop frequency in MHz

X: Average power in W

Y: Connector type

Z: Direction type

Examples:

To order a QCC1215C series Circulator, 9.3~9.5GHz, 30W, SMA female, Clockwise, specify QCC1215C-9300-9500-30-S-1.

Customization is available upon request.