

QCC1523C

High Power, High Isolation

Features:
 * High Power
 * High Isolation
 * Low Insertion Loss
 * Low VSWR

Applications:
 * Wireless
 * Radar
 * Laboratory Test

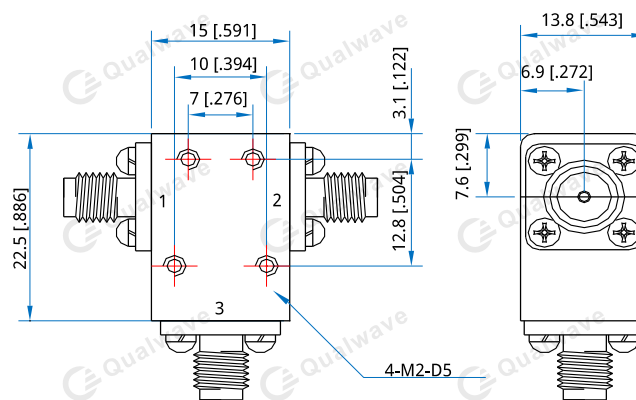
Description

QCC1523C series Coaxial Circulators cover frequency range 3.6~7.2GHz. High power, high isolation and low insertion loss make it ideal for a lot of applications like amplifiers, transceivers, etc.

Specifications

Frequency (MHz)	Bandwidth (MHz)	IL (dB Max.)	Isolation (dB Min.)	VSWR (Max.)	Average Power (W)	Connector	Temperature (°C)
3600~4200	600	0.50	18.0	1.30	60	SMA	-10~+60
4000~5000	1000	0.50	18.0	1.30	60	SMA	-10~+60
4500~5500	1000	0.40	20.0	1.25	60	SMA	-10~+60
5000~6000	1000	0.40	20.0	1.25	60	SMA	-10~+60
5700~5900	200	0.40	20.0	1.25	60	SMA	-10~+60
5800~7200	1400	0.50	18.0	1.35	60	SMA	-10~+60

Outline Drawings



Unit: mm [inch] Tolerance: ±0.2mm [±0.008in]

Mechanical

Size^{*1}: 15*22.5*13.8mm
 0.591*0.886*0.543in
 Mounting: 4-M2, depth 5mm

[1] Exclude connectors

Connector Naming Rules:

S - SMA Female

Direction Naming Rules:

1 - Clockwise
 2 - Anticlockwise

How To Order

QCC1523C-V-W-X-Y-Z

V: Start frequency in MHz
 W: Stop frequency in MHz
 X: Average power in W
 Y: Connector type

Z: Direction type

Examples:

To order a QCC1523C series Circulator, 3.6~4.2GHz, 60W, SMA female, Clockwise, specify QCC1523C-3600-4200-60-S-1.

Customization is available upon request.