

QCC2025X

High Power, High Isolation

Features:
 * High Power
 * High Isolation
 * Low Insertion Loss
 * Low VSWR

Applications:
 * Wireless
 * Radar
 * Laboratory Test

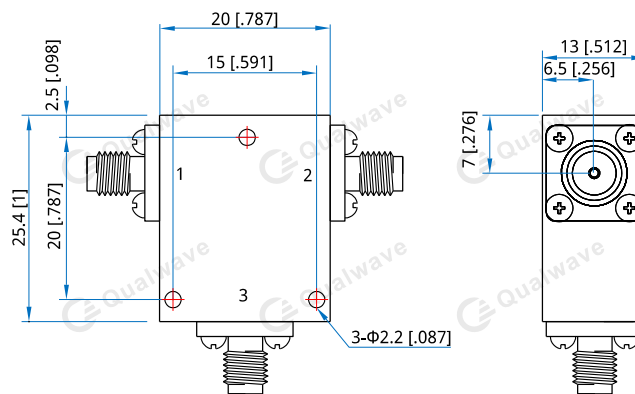
Description

QCC2025X series Coaxial Circulators cover frequency range 2.3~2.5GHz. High power, high isolation and low insertion loss make it ideal for a lot of applications like amplifiers, transceivers, etc.

Specifications

Frequency (MHz)	Bandwidth (MHz)	IL (dB Max.)	Isolation (dB Min.)	VSWR (Max.)	Average Power (W)	Connector	Temperature (°C)
2300~2500	200	0.4	20	1.25	100	SMA	-30~+75
2400~2483	83	0.3	25	1.2	100	SMA	-20~+85
2400~2500	100	0.3	23	1.2	100	SMA	-30~+75

Outline Drawings



Unit: mm [inch] Tolerance: ±0.2mm [±0.008in]

Mechanical

Size*1: 20*25.4*13mm
 0.787*1*0.512in

Mounting: 3-Φ2.2mm through-hole

[1] Exclude connectors

Connector Naming Rules:

S - SMA Female

Direction Naming Rules:

1 - Clockwise
 2 - Anticlockwise

How To Order

QCC2025X-V-W-X-Y-Z

V: Start frequency in MHz
 W: Stop frequency in MHz
 X: Average power in W
 Y: Connector type
 Z: Direction type

Examples:

To order a QCC2025X series Circulator, 2400~2483MHz, 100W, SMA female, Clockwise, specify QCC2025X-2400-2483-K1-S-1.

Customization is available upon request.