

QCC2123B

High Power, High Isolation

- Features:**
- * High Power
 - * High Isolation
 - * Low Insertion Loss
 - * Low VSWR

- Applications:**
- * Wireless
 - * Radar
 - * Laboratory Test

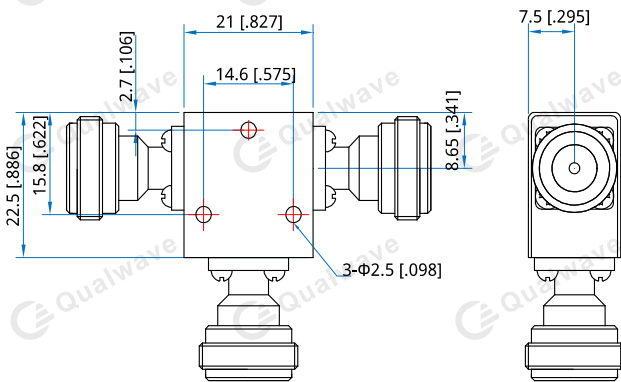
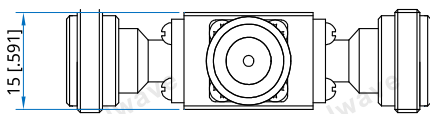
Description

QCC2123B series Coaxial Circulators cover frequency range 4~8GHz. High power, high isolation and low insertion loss make it ideal for a lot of applications like amplifiers, transceivers, etc.

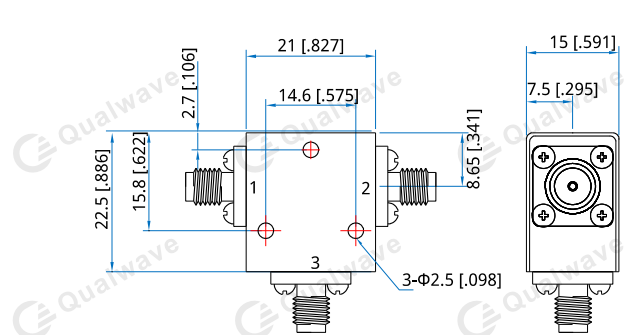
Specifications

| Frequency (MHz) | Bandwidth (MHz) | IL (dB Max.) | Isolation (dB Min.) | VSWR (Max.) | Average Power (W) | Connector | Temperature (°C) |
|-----------------|-----------------|--------------|---------------------|-------------|-------------------|-----------|------------------|
| 4000~8000 | 4000 | 0.60 | 18.0 | 1.35 | 50 | SMA, N | -10~+60 |

Outline Drawings



Outline A



Outline B

Unit: mm [inch] Tolerance: ±0.2mm [±0.008in]

Mechanical

Size^{*1}: 21*22.5*15mm
 0.827*0.886*0.591in
 Mounting: 3-Φ2.5mm through-hole

[1] Exclude connectors

Connector Naming Rules:

- N - N Female (Outline A)
- S - SMA Female (Outline B)

Direction Naming Rules:

- 1 - Clockwise
- 2 - Anticlockwise

How To Order

QCC2123B-V-W-X-Y-Z

- V: Start frequency in MHz
- W: Stop frequency in MHz
- X: Average power in W

Y: Connector type

Z: Direction type

Examples:

To order a QCC2123B series Circulator, 4~8GHz, 50W, SMA female,
Clockwise, specify QCC2123B-4000-8000-50-S-1.

Customization is available upon request.