

# QCC3033X

## High Power, High Isolation

**Features:**

- \* High Power
- \* High Isolation
- \* Low Insertion Loss
- \* Low VSWR

**Applications:**

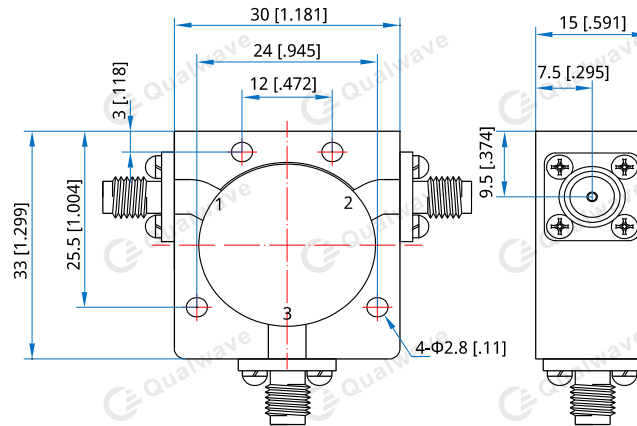
- \* Wireless
- \* Radar
- \* Laboratory Test

**Description**

QCC3033X series Coaxial Circulators cover frequency range 700~3000MHz. High power, high isolation and low insertion loss make it ideal for a lot of applications like amplifiers, transceivers, etc.

**Specifications**

Frequency (MHz)	Bandwidth (MHz)	IL (dB Max.)	Isolation (dB Min.)	VSWR (Max.)	Average Power (W Max.)	Connector	Temperature (°C)
700~1300	100	0.30	23.0	1.20	100	SMA	-30~+70
700~1300	200	0.40	20.0	1.25	100	SMA	-30~+70
700~900	200	0.40	20.0	1.25	100	SMA	-30~+70
800~1000	200	0.40	20.0	1.25	100	SMA	-30~+70
890~960	70	0.25	25.0	1.15	100	SMA	-30~+70
950~1450	500	0.60	15.0	1.45	100	SMA	-30~+70
960~1215	255	0.30	21.0	1.20	100	SMA	-30~+70
960~1260	300	0.45	20.0	1.25	100	SMA	-30~+70
1030~1090	60	0.25	25.0	1.15	100	SMA	-30~+70
1290~1310	20	0.25	25.0	1.15	100	SMA	-30~+70
1300~3000	200	0.30	23.0	1.20	100	SMA	-30~+70
1300~3000	300	0.45	18.0	1.30	100	SMA	-30~+70
1350~1850	500	0.60	15.0	1.45	100	SMA	-30~+70
1400~1700	300	0.45	20.0	1.25	100	SMA	-30~+70
1700~2300	600	0.50	20.0	1.25	100	SMA	-30~+70
1900~2200	300	0.40	20.0	1.25	100	SMA	-30~+70
2100~2700	600	0.50	18.0	1.35	100	SMA	-30~+70
2200~2400	200	0.30	23.0	1.20	100	SMA	-30~+70
2300~2700	400	0.40	20.0	1.25	100	SMA	-30~+70
2500~2700	200	0.30	23.0	1.20	100	SMA	-30~+70
2700~2900	200	0.30	23.0	1.20	100	SMA	-30~+70
2800~3000	200	0.30	23.0	1.20	100	SMA	-30~+70

**Outline Drawings**


Unit: mm [inch]      Tolerance:  $\pm 0.2\text{mm}$  [ $\pm 0.008\text{in}$ ]

**Mechanical**

Size<sup>\*1</sup>: 30\*33\*15mm  
1.181\*1.299\*0.591in

Mounting: 4- $\Phi 2.8\text{mm}$  through-hole

[1] Exclude connectors

**Connector Naming Rules:**

S - SMA Female

**Direction Naming Rules:**

- 1 - Clockwise
- 2 - Anticlockwise

**How To Order**
**QCC3033X-V-W-X-Y-Z**

V: Start frequency in MHz

W: Stop frequency in MHz

X: Average power in W

Y: Connector type

Z: Direction type

**Examples:**

To order a QCC3033X series Circulator, 700~900MHz, 100W, SMA female, Clockwise, specify QCC3033X-700-900-K1-S-1.

Customization is available upon request.