

QCC3232X

High Power, High Isolation

Features:

- * High Power
- * High Isolation
- * Low Insertion Loss
- * Low VSWR

Applications:

- * Wireless
- * Radar
- * Laboratory Test

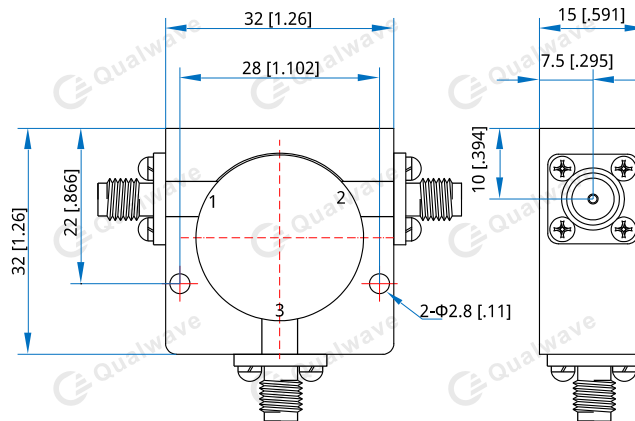
Description

QCC3232X series Coaxial Circulators cover frequency range 700~3000MHz. High power, high isolation and low insertion loss make it ideal for a lot of applications like amplifiers, transceivers, etc.

Specifications

Frequency (MHz)	Bandwidth (MHz)	IL (dB Max.)	Isolation (dB Min.)	VSWR (Max.)	Average Power*1 (W)	Connector	Temperature (°C)
700~1300	100	0.30	23.0	1.20	100~200	SMA, N	-30~+70
700~1300	200	0.40	20.0	1.25	100~200	SMA, N	-30~+70
700~900	200	0.40	20.0	1.25	100~200	SMA, N	-30~+70
800~1000	200	0.40	20.0	1.25	100~200	SMA, N	-30~+70
890~960	70	0.25	25.0	1.15	100~200	SMA, N	-30~+70
950~1450	500	0.60	15.0	1.45	100~200	SMA, N	-30~+70
960~1215	255	0.30	21.0	1.20	100~200	SMA, N	-30~+70
960~1260	300	0.45	20.0	1.25	100~200	SMA, N	-30~+70
1030~1090	60	0.25	25.0	1.15	100~200	SMA, N	-30~+70
1290~1310	20	0.25	25.0	1.15	100~200	SMA, N	-30~+70
1300~3000	200	0.30	23.0	1.20	100~200	SMA, N	-30~+70
1300~3000	300	0.45	18.0	1.30	100~200	SMA, N	-30~+70
1350~1850	500	0.60	15.0	1.45	100~200	SMA, N	-30~+70
1400~1700	300	0.45	20.0	1.25	100~200	SMA, N	-30~+70
1700~2300	600	0.50	20.0	1.25	100~200	SMA, N	-30~+70
1900~2200	300	0.40	20.0	1.25	100~200	SMA, N	-30~+70
2100~2700	600	0.50	18.0	1.35	100~200	SMA, N	-30~+70
2200~2400	200	0.30	23.0	1.20	100~200	SMA, N	-30~+70
2300~2700	400	0.40	20.0	1.25	100~200	SMA, N	-30~+70
2500~2700	200	0.30	23.0	1.20	100~200	SMA, N	-30~+70
2700~2900	200	0.30	23.0	1.20	100~200	SMA, N	-30~+70
2800~3000	200	0.30	23.0	1.20	100~200	SMA, N	-30~+70

[1] The connector is SMA, and the maximum average power can only reach 100W

Outline Drawings


Unit: mm [inch] Tolerance: ±0.2mm [±0.008in]

Mechanical

Size^{*2}: 32*32*15mm
 1.26*1.26*0.591in
 Mounting: 2-φ2.8mm through-hole

[2] Exclude connectors

Connector Naming Rules:

S - SMA Female

Direction Naming Rules:

- 1 - Clockwise
- 2 - Anticlockwise

How To Order
QCC3232X-V-W-X-Y-Z

- V: Start frequency in MHz
- W: Stop frequency in MHz
- X: Average power in W
- Y: Connector type
- Z: Direction type

Examples:

To order a QCC3232X series Circulator, 700~1300MHz, 100W, SMA female, Clockwise, specify QCC3232X-700-1300-K1-S-1.

Customization is available upon request.