

QCC4550X

High Power, High Isolation

- | | |
|--|--|
| Features:
* High Power
* High Isolation
* Low Insertion Loss
* Low VSWR | Applications:
* Wireless
* Radar
* Laboratory Test |
|--|--|

Description

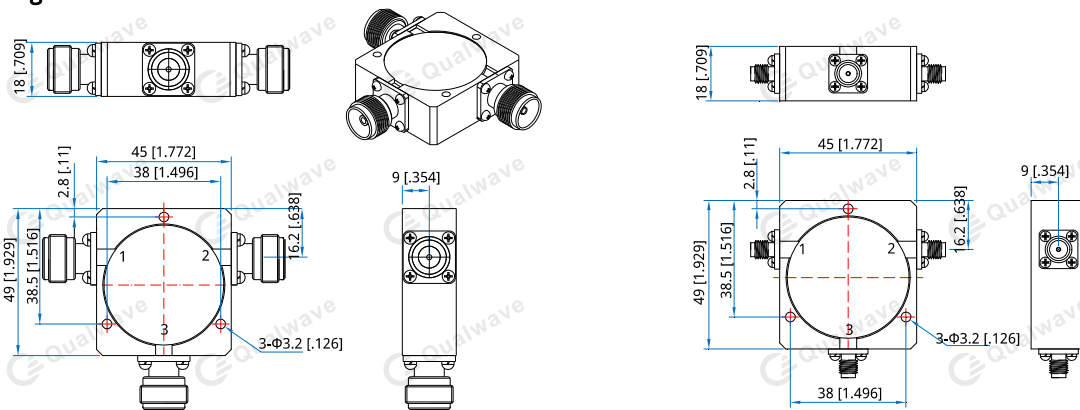
QCC4550X series Coaxial Circulators cover frequency range 300~1100MHz. High power, high isolation and low insertion loss make it ideal for a lot of applications like amplifiers, transceivers, etc.

Specifications

Frequency (MHz)	Bandwidth (MHz)	IL (dB Max.)	Isolation (dB Min.)	VSWR (Max.)	Average Power*1 (W)	Connector	Temperature (°C)
300~420	20	0.30	23.0	1.20	100~400	SMA, N	-30~+70
300~420	30	0.40	20.0	1.25	100~400	SMA, N	-30~+70
300~420	120	0.60	18.0	1.30	100~400	SMA, N	-30~+70
350~470	120	0.70	15.0	1.50	100	SMA	-30~+70
361~366	5	0.20	30.0	1.15	100~400	SMA, N	-30~+70
400~470	70	0.40	20.0	1.25	100~400	SMA, N	-30~+70
400~500	30	0.30	23.0	1.20	100~400	SMA, N	-30~+70
400~500	100	0.40	20.0	1.25	100~400	SMA, N	-30~+70
500~700	50	0.40	20.0	1.25	100~400	SMA, N	-30~+70
500~700	150	0.50	18.0	1.30	100~400	SMA, N	-30~+70
500~700	200	0.60	17.0	1.35	100	SMA, N	-30~+75
600~900	300	0.80	15.0	1.50	100	SMA	-30~+75
610~900	290	0.80	15.0	1.50	100	SMA	-30~+75
700~900	200	0.40	20.0	1.25	100~400	SMA, N	-30~+70
700~1000	300	0.50	18.0	1.30	100~400	SMA, N	-30~+70
800~1000	200	0.40	20.0	1.20	100~400	SMA, N	-30~+70
800~1100	300	0.50	18.0	1.30	100~400	SMA, N	-30~+70

[1] The connector is SMA, and the maximum average power can only reach 100W

Outline Drawings



Outline A

Outline B

Unit: mm [inch] Tolerance: ±0.2mm [±0.008in]

Mechanical

Size^{*2}: 45*49*18mm
1.772*1.929*0.709in

Mounting: 3- Φ 3.2mm through-hole

[2] Exclude connectors

Connector Naming Rules:

N - N Female (Outline A)

S - SMA Female (Outline B)

Direction Naming Rules:

1 - Clockwise

2 - Anticlockwise

How To Order**QCC4550X-V-W-X-Y-Z**

V: Start frequency in MHz

W: Stop frequency in MHz

X: Average power in W

Y: Connector type

Z: Direction type

Examples:

To order a QCC4550X series Circulator, 300~400MHz, 200W, N female, Clockwise, specify QCC4550X-300-400-K2-N-1.

Customization is available upon request.