

QCC6466K

High Power, High Isolation

Features:
 * High Power
 * High Isolation
 * Low Insertion Loss
 * Low VSWR

Applications:
 * Wireless
 * Radar
 * Laboratory Test

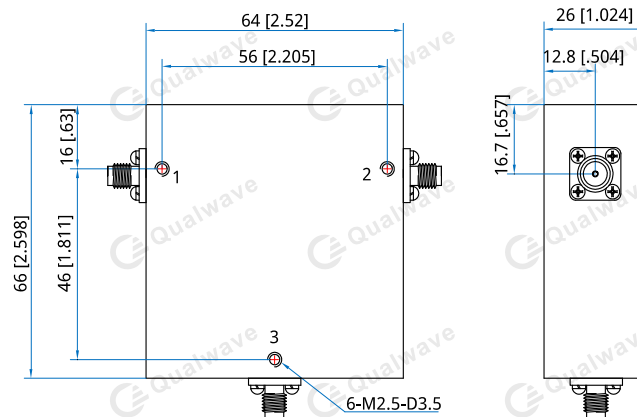
Description

QCC6466K series Coaxial Circulators cover frequency range 950~2000MHz. High power, high isolation and low insertion loss make it ideal for a lot of applications like amplifiers, transceivers, etc.

Specifications

Frequency (MHz)	Bandwidth (MHz)	IL (dB Max.)	Isolation (dB Min.)	VSWR (Max.)	Average Power (W)	Connector	Temperature (°C)
950~2000	1050	0.65	16.0	1.40	10~100	SMA, N	-10~+60
1000~2000	1000	0.60	17.0	1.40	10~100	SMA, N	-10~+60

Outline Drawings



Unit: mm [inch] Tolerance: ±0.2mm [±0.008in]

Mechanical

Size*1: 64*66*26mm
 2.52*2.598*1.024in
 Mounting: 6-M2.5, depth 3.5mm

[1] Exclude connectors

Connector Naming Rules:

S - SMA Female

Direction Naming Rules:

1 - Clockwise
 2 - Anticlockwise

How To Order

QCC6466K-V-W-X-Y-Z

V: Start frequency in MHz
 W: Stop frequency in MHz
 X: Average power in W
 Y: Connector type
 Z: Direction type

Examples:

To order a QCC6466K series Circulator, 1~2GHz, 100W, SMA female, clockwise, specify QCC6466K-1000-2000-K1-S-1.

Customization is available upon request.