

QCI2025X

High Power, High Isolation

Features:
 * High Power
 * High Isolation
 * Low Insertion Loss
 * Low VSWR

Applications:
 * Wireless
 * Radar
 * Laboratory Test

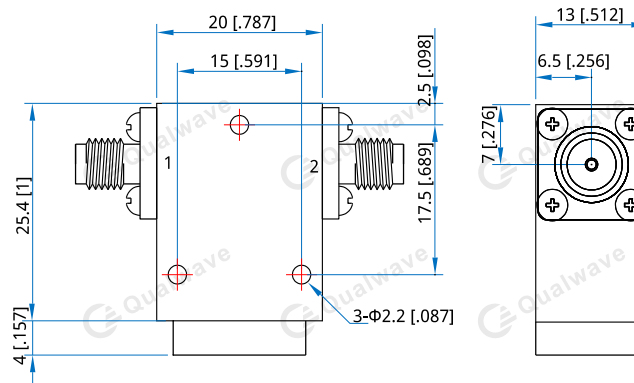
Description

QCI2025X series Coaxial Isolators cover frequency range 1300~4000MHz. High power, high isolation and low insertion loss make it ideal for a lot of applications like amplifiers, transceivers, etc.

Specifications

Frequency (MHz)	Bandwidth (MHz)	IL (dB Max.)	Isolation (dB Min.)	VSWR (Max.)	Fwd Power (W Max.)	Rev Power (W)	Connector	Temperature (°C)
1300~4000	100	0.30	23.0	1.20	100	20	SMA	-30~+70
1700~1900	200	0.40	20.0	1.25	100	20	SMA	-30~+70
1900~2200	300	0.40	20.0	1.25	100	20	SMA	-30~+70
2400~2500	100	0.25	25.0	1.15	100	20	SMA	-30~+70
2500~2700	200	0.30	23.0	1.20	100	20	SMA	-30~+70
2700~3100	400	0.30	20.0	1.25	100	20	SMA	-30~+70
3100~3400	300	0.30	20.0	1.20	100	20	SMA	-30~+70
3400~3600	200	0.30	20.0	1.20	100	20	SMA	-30~+70
3600~4000	400	0.30	20.0	1.25	100	20	SMA	-30~+70

Outline Drawings



Unit: mm [inch]

Tolerance: ± 0.2 mm [± 0.008 in]

Mechanical

Size*1: 20*25.4*13mm

0.787*1*0.512in

Mounting: 3- Φ 2.2mm through-hole

[1] Exclude connectors and terminations.

Connector Naming Rules:

S - SMA Female

Direction Naming Rules:

1 - Clockwise

2 - Anticlockwise

How To Order**QCI2025X-U-V-W-X-Y-Z**

U: Start frequency in MHz

V: Stop frequency in MHz

W: Forward power in W

X: Reverse power in W

Y: Connector type

Z: Direction type

Examples:

To order a QCI2025X series Isolator, 1500~1700MHz, Forward power 100W, Reverse power 20W, SMA female, Clockwise, specify QCI2025X-1500-1700-K1-20-S-1.

Customization is available upon request.