

QCI3538X

High Power, High Isolation

Features:

- * High Power
- * High Isolation
- * Low Insertion Loss
- * Low VSWR

Applications:

- * Wireless
- * Radar
- * Laboratory Test

Description

QCI3538X series Coaxial Isolators cover frequency range 300~1850MHz. High power, high isolation and low insertion loss make it ideal for a lot of applications like amplifiers, transceivers, etc.

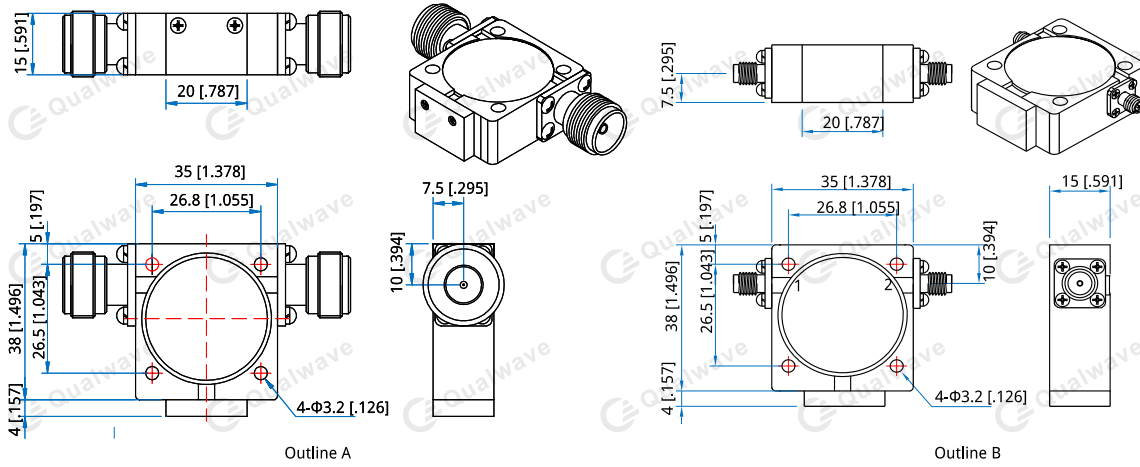
Specifications

Frequency (MHz)	Bandwidth (MHz)	IL (dB Max.)	Isolation (dB Min.)	VSWR (Max.)	Fwd Power*1 (W Max.)	Rev Power (W)	Connector	Temperature (°C)
300~350	50	0.70	18.0	1.35	300	10~100	SMA, N	-30~+70
300~400	20	0.40	20.0	1.25	300	10~100	SMA, N	-30~+70
350~370	20	0.40	23.0	1.20	300	10~100	SMA, N	-30~+70
361~366	5	0.40	23.0	1.20	300	10~100	SMA, N	-30~+70
400~470	70	0.40	20.0	1.25	300	10~100	SMA, N	-30~+70
400~600	200	0.30	23.0	1.20	300	10~100	SMA, N	-30~+70
400~600	100	0.40	20.0	1.25	300	10~100	SMA, N	-30~+70
470~570	100	0.40	20.0	1.25	300	10~100	SMA, N	-30~+70
500~700	200	0.70	17.0	1.35	100	20	SMA	-40~+85
600~800	200	0.25	25.0	1.15	300	10~100	SMA, N	-30~+70
600~800	200	0.30	23.0	1.20	300	10~100	SMA, N	-30~+70
600~800	200	0.45	19.0	1.25	300	10~100	SMA, N	-30~+70
700~900	200	0.40	20.0	1.25	200	30	N	-30~+75
700~1000	300	0.25	25.0	1.15	300	10~100	SMA, N	-30~+70
700~1000	100	0.30	23.0	1.20	300	10~100	SMA, N	-30~+70
700~1000	200	0.50	18.0	1.30	300	10~100	SMA, N	-30~+70
950~1450	500	0.60	18.0	1.30	300	10~100	SMA, N	-30~+70
960~1215	255	0.30	21.0	1.20	300	10~100	SMA, N	-30~+70
960~1260	300	0.45	20.0	1.25	300	10~100	SMA, N	-30~+70
1000~1500	500	0.60	18.0	1.30	300	10~100	SMA, N	-30~+70
1020~1040	20	0.25	25.0	1.15	300	10~100	SMA, N	-30~+70
1160~1610	450	0.50	20.0	1.25	300	10~100	SMA, N	-30~+70
1290~1310	20	0.25	25.0	1.15	300	10~100	SMA, N	-30~+70
1350~1850	500	0.50	20.0	1.25	300	10~100	SMA, N	-30~+70

The size of the termination varies according to the reverse power

[1] The connector is SMA, and the maximum forward power can only reach 100W.

Outline Drawings



Unit: mm [inch] Tolerance: ±0.2mm [±0.008in]

Mechanical

Size^{*2}: 35*38*15mm
 1.378*1.496*0.591in
 Mounting: 4-Φ3.2mm through-hole

[2] Exclude connectors and terminations.

Connector Naming Rules:

N - N Female (Outline A)
 S - SMA Female (Outline B)

Direction Naming Rules:

1 - Clockwise
 2 - Anticlockwise

How To Order

QCI3538X-U-V-W-X-Y-Z

U: Start frequency in MHz
 V: Stop frequency in MHz
 W: Forward power in W
 X: Reverse power in W
 Y: Connector type
 Z: Direction type

Examples:

To order a QCI3538X series Isolator, 300~350MHz, Forward power 300W, Reverse power 100W, N female, Clockwise, specify QCI3538X-300-350-K3-K1-N-1.

Customization is available upon request.