

# QCI6060E

## High Power, High Isolation

- Features:
- \* High Power
  - \* High Isolation
  - \* Low Insertion Loss
  - \* Low VSWR

- Applications:
- \* Wireless
  - \* Radar
  - \* Laboratory Test

### Description

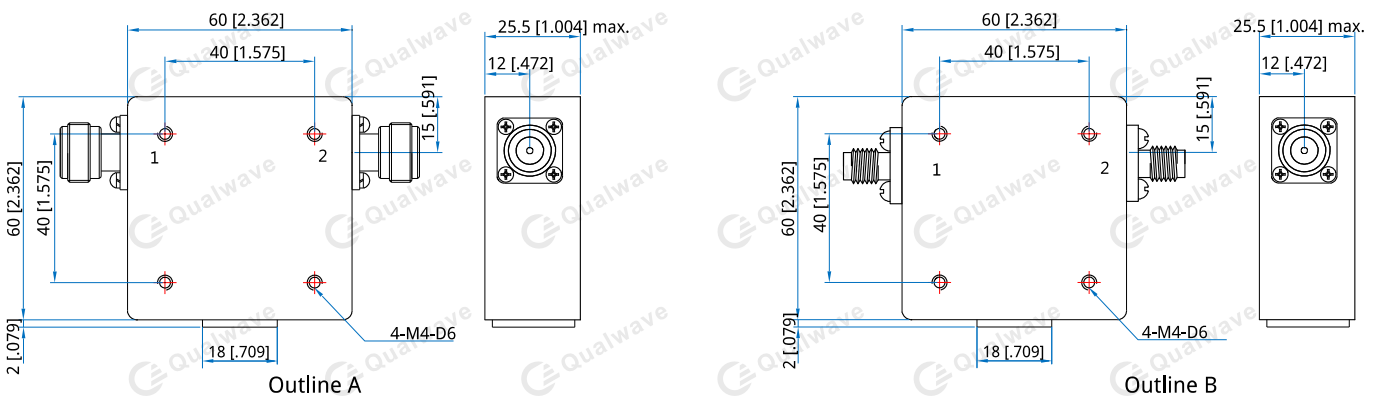
QCI6060E series Coaxial Isolators cover frequency range 20~400MHz. High power, high isolation and low insertion loss make it ideal for a lot of applications like amplifiers, transceivers, etc.

### Specifications

Frequency (MHz)	Bandwidth (MHz)	IL (dB Max.)	Isolation (dB Min.)	VSWR (Max.)	Fwd Power (W Max.)	Rev Power (W)	Connector	Temperature (°C)
20~30	0	2.00	18.0	1.30	100	10~100	SMA, N	-20~+70
30~80	0	1.20	20.0	1.25	100	10~100	SMA, N	-20~+70
30~80	5	1.80	18.0	1.30	100	10~100	SMA, N	-20~+70
54~60	6	1.0	18.0	1.30	100	100*1	N	0~+60
60~66	6	0.80	17.0	1.35	100	100*1	N	-10~+60
88~108	20	0.60	20.0	1.25	100	10~100	SMA, N	-20~+70
100~140	40	0.80	17.0	1.35	100	100	SMA	0~+60
108~118	10	0.50	20.0	1.20	100	10~100	SMA, N	-20~+70
116~138	22	0.60	20.0	1.25	100	10~100	SMA, N	-20~+70
130~180	50	0.60	20.0	1.25	100	10~100	SMA, N	-20~+70
136~174	38	0.50	20.0	1.25	100	10~100	SMA, N	-20~+70
150~170	20	0.40	20.0	1.20	100	10~100	SMA, N	-20~+70
170~230	60	0.60	20.0	1.25	100	10~100	SMA, N	-20~+70
170~240	70	0.70	18.0	1.30	50	20	SMA	0~+60
225~400	175	0.80	18.0	1.30	100	10~100	SMA, N	-20~+70

[1] Built in resistor for users to solve heat dissipation problems.

### Outline Drawings



Unit: mm [inch]      Tolerance: ±0.2mm [±0.008in]

**Mechanical**

---

Size<sup>\*2</sup>: 60\*60\*25.5mm  
2.362\*2.362\*1.004in

Mounting: 4-M4, depth 6mm

[2] Exclude connectors and terminations.

**Connector Naming Rules:**

N - N Female (Outline A)

S - SMA Female (Outline B)

**How To Order****QCI6060E-W-X-Y-Z**

W: Start frequency in MHz

X: Stop frequency in MHz

Y: Reverse power in W

Z: Connector type

**Examples:**

To order a QCI6060E series Isolator, 100~140MHz, 100W, SMA female, specify QCI6060E-100-140-100-S.

Customization is available upon request.