

QCT6710

DC~67GHz, 10W

Features:

- * Low VSWR
- * High Attenuation Flatness

Applications:

- * Wireless
- * Transmitter
- * Laboratory Test
- * Radar

Electrical

Frequency:	DC~67GHz
VSWR:	1.4 max.
Impedance:	50Ω
Average Power* ¹ :	10W@25°C max.
Peak Power:	100W (5μS pulse width, 5% duty cycle)

[1] Derated linearly to 1W@125°C.

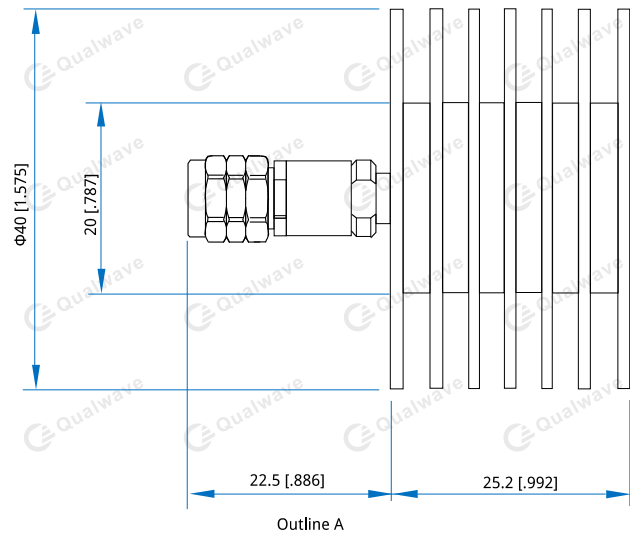
Mechanical

RF Connectors:	1.85mm
Connector Housing:	Passivated stainless steel
Heat Sinks Housing:	Aluminum black anodize
Dielectric:	PEI
Male Inner Conductor:	Gold plated brass

[1] Exclude connectors.

Environmental

Operating Temperature:	-55~+125°C
Non-Operating Temperature:	-55~+125°C

Outline Drawings


Unit: mm [in]

Tolerance: ±2mm [±0.08in]

How To Order

QCT6710-X-Y

X: Frequency in GHz

Y: Connector type

Connector naming rules:

V - 1.85mm male (Outline A)

VF - 1.85mm female

Examples:

To order a termination, DC-67GHz, 1.85mm male, specify QCT6710-67-V.

Customization is available upon request.