

# QWD-10

## WR-10, 75~110GHz

Features:  
 \* Broadband  
 \* High Sensitivity

Applications:  
 \* Telecom  
 \* Instrumentation  
 \* Laboratory Test  
 \* Radar

### Electrical

Frequency Range:	75~110GHz
Sensitivity:	0.1mV/uW min
Flatness:	±2.2dB max.
Polarity:	Negative
Input Power Without Damage:	20dBm
Rise Time:	10nS
Falling Time:	10nS

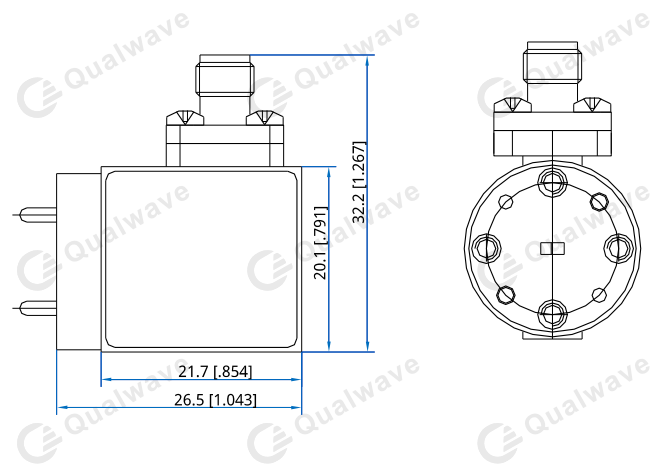
### Mechanical

Length:	26.5*32.2mm 1.043*1.276in
Input Connector:	WR-10
Output Connector:	SMA Female

### Environmental

Operating Temperature:	-20~+70°C
Non-operating Temperature:	-40~+85°C

### Outline Drawings



Unit: mm [in]  
 Tolerance: ±0.2mm [±0.008in]

### How To Order

**QWD-10**

Customization is available upon request.