

QWD-15

WR-15, 50~75GHz

Features:
 * Broadband
 * High Sensitivity

Applications:
 * Telecom
 * Instrumentation
 * Laboratory Test
 * Radar

Electrical

Frequency Range:	50~75GHz
Sensitivity:	0.2mV/μW min.
Flatness:	±2.2dB max.
Polarity:	Negative
Input Power Without Damage:	+20dBm max.
Rise Time:	10nS
Falling Time:	10nS

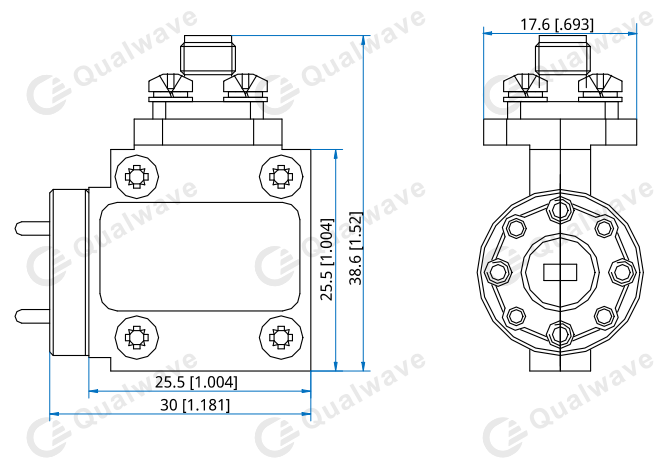
Mechanical

Size:	30*17.6*38.6mm 1.181*0.693*1.52in
Input Connector:	WR-15
Output Connector:	SMA Female

Environmental

Operating Temperature:	-20~+70°C
Non-operating Temperature:	-40~+85°C

Outline Drawings



Unit: mm [in]
 Tolerance: ±0.2mm [±0.008in]

How To Order

QWD-15

Customization is available upon request.