

## QDPS-2000-4000-360-6

2~4GHz, 360°, 6Bits

Features:  
 \* Broadband  
 \* High Reliable

Applications:  
 \* Laboratory Test  
 \* Instrumentation

### Electrical

Frequency Range:	2~4GHz
Phase Range:	360° typ.
Control Bits:	6 Bits
Step:	5.625° typ.
Insertion Loss:	6dB max.
Insertion Loss Temperature Coefficient:	0.003dB/°C typ.
Phase Flatness:	±30° max.
Input VSWR:	3 max.
Output VSWR:	3 max.
Input Power (P1dB):	27dBm typ.
Impedance:	50Ω
Voltage:	+5V
Current:	60mA max.

### Mechanical

Size*1:	45*43*14mm 1.772*1.693*0.551in
RF Connectors:	SMA Female
Control Connector:	MICRO-D9 Female
Material:	Aluminum
Mounting:	4-Φ2.2mm through-hole

[1] Exclude connectors.

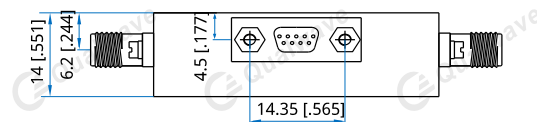
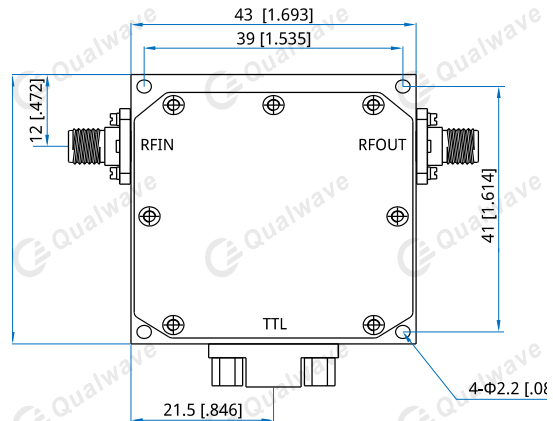
### Environmental

Operating Temperature:	-40~+85°C
Non-operating Temperature:	-50~+105°C

### Control True Table

Pin 6	Pin 5	Pin 4	Pin 3	Pin 2	Pin 1	Phase Shift (°)
0	0	0	0	0	0	0
0	0	0	0	0	1	5.625
0	0	0	0	1	0	11.25
0	0	0	1	0	0	22.5
0	0	1	0	0	0	45
0	1	0	0	0	0	90
1	0	0	0	0	0	180
1	1	1	1	1	1	354.375

### Outline Drawings



Unit: mm [in]  
 Tolerance: ±0.2mm [±0.008in]

### How To Order

**QDPS-2000-4000-360-6**

Customization is available upon request.