

QDPS-7000-9000-360-7

7~9GHz, 360°, 7Bits

Features:
 * Broadband
 * High Reliable

Applications:
 * Laboratory Test
 * Instrumentation

Electrical

Frequency:	7~9GHz
Insertion Loss:	14dB max.
Inband flatness:	±1.5dB max.
Input Power:	10dBm max.
Phase Range:	360° max.
Control Bits:	7 Bits
Step:	2.8125° typ.
Phase Accuracy:	±3% max.
On/Off Delay:	100nS max.
VSWR:	2.2 max.
Voltage/Current:	-5V/0.1A
Impedance:	50Ω

Mechanical

Size*1:	35*45*12mm 1.378*1.772*0.472in
RF Connectors:	2.92mm Female

[1] Exclude connectors.

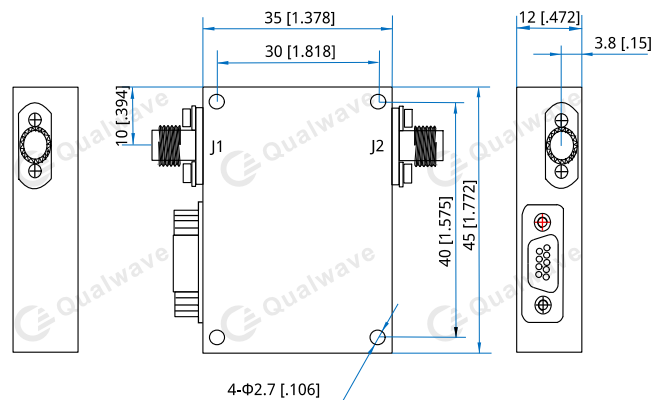
Environmental

Operating Temperature:	-40~+60°C
Non-operating Temperature:	-55~+70°C

Control True Table

Pin 1	Pin 2	Pin 3	Pin 4	Pin 5	Pin 6	Pin 7	Pin 8	Pin 9
2.8125°	5.625°	11.25°	22.5°	45°	90°	180°	-5V	GND

Outline Drawings



Unit: mm [in]
 Tolerance: ±0.2mm [±0.008in]

How To Order

QDPS-7000-9000-360-7

Customization is available upon request.