

QDA-1000-18000-31.5-0.5

1~18GHz, 31.5dB, 0.5dB

Features:
 * Broadband
 * High Dynamic Range

Applications:
 * Wireless
 * Transmitter
 * Laboratory Test
 * Radar

Electrical

Frequency:	1~18GHz
Insertion Loss:	5.5dB max.
Attenuation Flatness:	±0.7dB typ. @10dB ±1dB typ. @30dB
Step:	0.5dB
Attenuation Range:	0~31.5dB
Attenuation Accuracy:	±0.8dB typ. @0~10dB ±1dB typ. @30dB
VSWR:	2 max.
Voltage/Current:	-5V @15mA typ.
Input Power:	+25dBm max.

Mechanical

Size ^{*1} :	32*20*12.7mm 1.26*0.787*0.5in
RF Connectors:	SMA Female
Power Supply & Control Interface Connectors:	MICRO-D15-Female
Mounting:	4-Φ2.7 through-hole
Logic Input:	On: 1(+3~+5V) Off: 0(0~+0.5V)

[1] Exclude connectors.

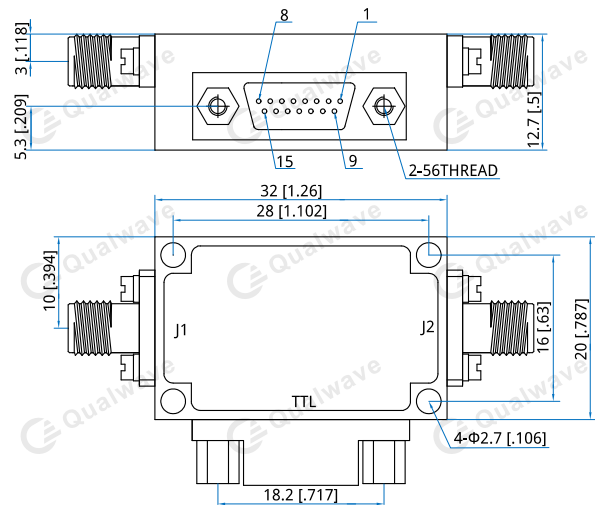
Pin Numbering

Pin	Function	Pin	Function
1	-5V	6	C3
2	COM	7	C4
3	NC	8	C5
4	C1	9	C6
5	C2	10~15	NC

Environmental

Operating Temperature:	-45~+85°C
Non-operating Temperature:	-55~+125°C

Outline Drawings



Unit: mm [in]
 Tolerance: ±0.2mm [±0.008in]

Logic Table

State	C1	C2	C3	C4	C5	C6	Attenuation State
-	0	0	0	0	0	0	Reference IL
1	1	0	0	0	0	0	0.5dB
2	0	1	0	0	0	0	1dB
3	0	0	1	0	0	0	2dB
4	0	0	0	1	0	0	4dB
5	0	0	0	0	1	0	8dB
6	0	0	0	0	0	1	16dB
7	1	1	1	1	1	1	31.5dB

How To Order

QDA-1000-18000-31.5-0.5

Customization is available upon request.