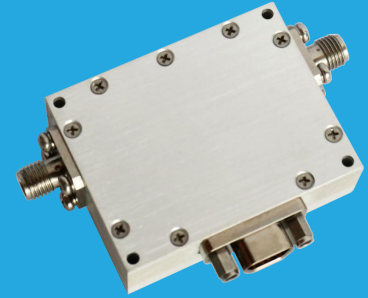


QDA-1000-2000-63-1

1~2GHz, 63dB, 1dB


Features:

- * Broadband
- * High Dynamic Range

Applications:

- * Wireless
- * Transmitter
- * Laboratory Test
- * Radar

Electrical

Frequency:	1~2GHz
Insertion Loss:	2.5dB max.
Attenuation Flatness:	±0.5dB max.
Control Bits:	6
Step:	1dB
Attenuation Range:	0~63dB
Attenuation Accuracy:	3% of attenuation setting max.
Switching Time:	100nS max.
Input VSWR:	1.5 max.
Output VSWR:	1.5 max.
Voltage:	±5V DC
Current:	0.1A typ.
Input Power Without Damage:	30dBm max.

Mechanical

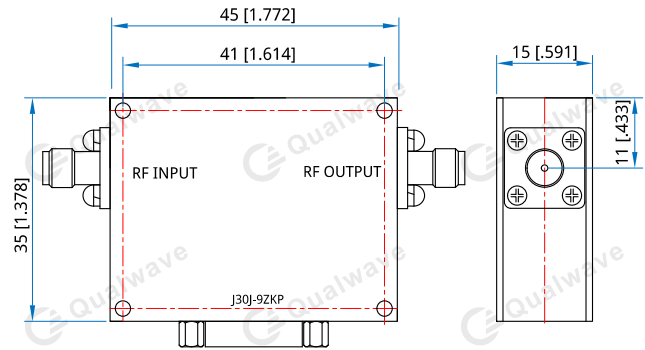
Size ^{*1} :	45*35*15mm 1.772*1.378*0.591in
Weight:	200g typ.
RF Connectors:	SMA Female
Power Supply & Control Interface Connectors:	J30J-9ZKP
Housing Material:	Aluminum
Mounting:	4*Φ2.4mm through-hole

[1] Exclude connectors.

Environmental

Operating Temperature:	-40~+70°C
Non-operating Temperature:	-55~+70°C

Outline Drawings



Unit: mm [in]

Tolerance: ±0.2mm [±0.008in]

Pin Numbering

Pin	Function	Pin	Function
1	+5V	6	4dB
2	-5V	7	8dB
3	GND	8	16dB
4	1dB (LSB)	9	32dB (MSB)
5	2dB		

How To Order

QDA-1000-2000-63-1

Customization is available upon request.