

QDA-1000-2000-63.5-0.5

1~2GHz, 63.5dB, 0.5dB

Features:

- * Broadband
- * High Dynamic Range

Applications:

- * Wireless
- * Transmitter
- * Laboratory Test
- * Radar

Electrical

Frequency:	1~2GHz
Insertion Loss:	5dB max.
Attenuation Flatness:	±1.5dB max.
Step:	0.5dB
Attenuation Range:	0~63.5dB
Attenuation Accuracy:	±2.5dB max.
VSWR:	1.7 max.
Voltage/Current:	+5V @20mA typ.
Input Power:	+25dBm max.

Mechanical

Size ^{*1} :	32*20*12.7mm 1.26*0.787*0.5in
RF Connectors:	SMA Female
Power Supply & Control Interface Connectors:	J30J-9ZKP
Housing Material:	Aluminium
Mounting:	4-Φ2.7 through-hole
Logic Input:	On: 1(+3.3~+5V) Off: 0(0~+0.5V)

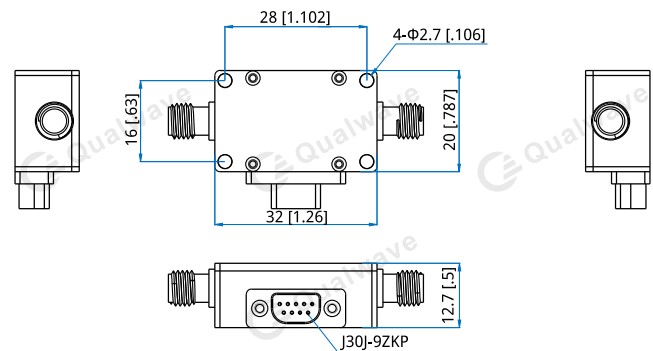
[1] Exclude connectors.

Pin Numbering

Pin	Function	Pin	Function
1	C1	6	C6
2	C2	7	C7
3	C3	8	GND
4	C4	9	+5V
5	C5		

Environmental

Operating Temperature:	-40~+85°C
Non-operating Temperature:	-55~+125°C

Outline Drawings


Unit: mm [in]

Tolerance: ±0.2mm [±0.008in]

Logic Table

C1	C2	C3	C4	C5	C6	C7	Attenuation State
1	1	1	1	1	1	1	Reference
0	1	1	1	1	1	1	0.5dB
1	0	1	1	1	1	1	1dB
1	1	0	1	1	1	1	2dB
1	1	1	0	1	1	1	4dB
1	1	1	1	0	1	1	8dB
1	1	1	1	1	0	1	16dB
1	1	1	1	1	1	0	32dB
0	0	0	0	0	0	0	63.5dB

How To Order

QDA-1000-2000-63.5-0.5

Customization is available upon request.