

QDA-7000-9000-32-0.25

7~9GHz, 32dB, 0.25dB

Features:
 * Broadband
 * High Dynamic Range

Applications:
 * Wireless
 * Transmitter
 * Laboratory Test
 * Radar

Electrical

Frequency:	7~9GHz
Insertion Loss:	5.5dB max.
Attenuation Flatness:	±2.5dB max.
Step:	0.25dB
Attenuation Range:	0~32dB
Attenuation Accuracy:	±2dB max.
VSWR:	2 max.
Voltage/Current:	-5V @50mA Max.
Input Power:	+24dBm max.

Mechanical

Size ^{*1} :	32*20*12.7mm 1.26*0.787*0.5in
RF Connectors:	SMA Female
Power Supply & Control Interface Connectors:	D-Sub 15
Housing Material:	Aluminum
Mounting:	4-Φ2.7 through-hole
Logic Input:	On: 1(+5V) Off: 0(0V)

[1] Exclude connectors.

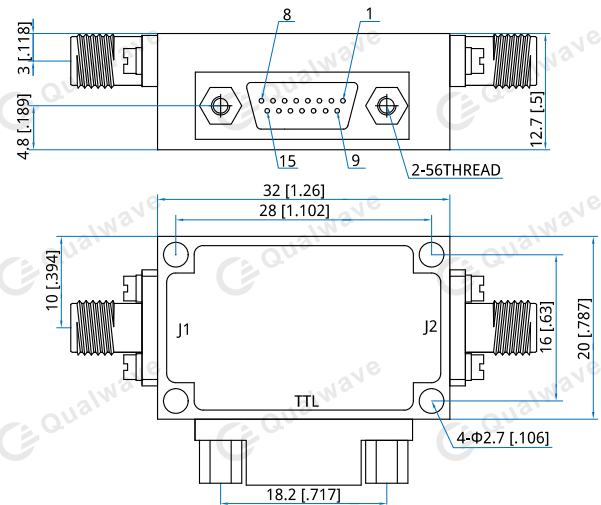
Pin Numbering

Pin	Function	Pin	Function
1	NC	7	C4
2	COM	8	C5
3	-5V	9	C6
4	C1	10	C7
5	C2	11	C8
6	C3	10-15	NC

Environmental

Operating Temperature:	-40~+85°C
Non-operating Temperature:	-55~+125°C

Outline Drawings



Unit: mm [in]
 Tolerance: ±0.2mm [±0.008in]

Logic Table

C1	C2	C3	C4	C5	C6	C7	C8	Attenuation State
0	0	0	0	0	0	0	0	Reference
1	0	0	0	0	0		0	0.25dB
0	1	0	0	0	0	0	0	0.5dB
0	0	1	0	0	0	0	0	1dB
0	0	0	1	0	0	0	0	2dB
0	0	0	0	1	0	0	0	4dB
0	0	0	0	0	1	0	0	8dB
0	0	0	0	0	0	1	0	16dB
0	0	0	0	0	0	0	1	32dB
1	1	1	1	1	1	1	1	63.75dB

How To Order

QDA-7000-9000-32-0.25

Customization is available upon request.