

# QDC1919X

## High Power, High Isolation

**Features:**

- \* High Power
- \* High Isolation
- \* Low Insertion Loss
- \* Low VSWR

**Applications:**

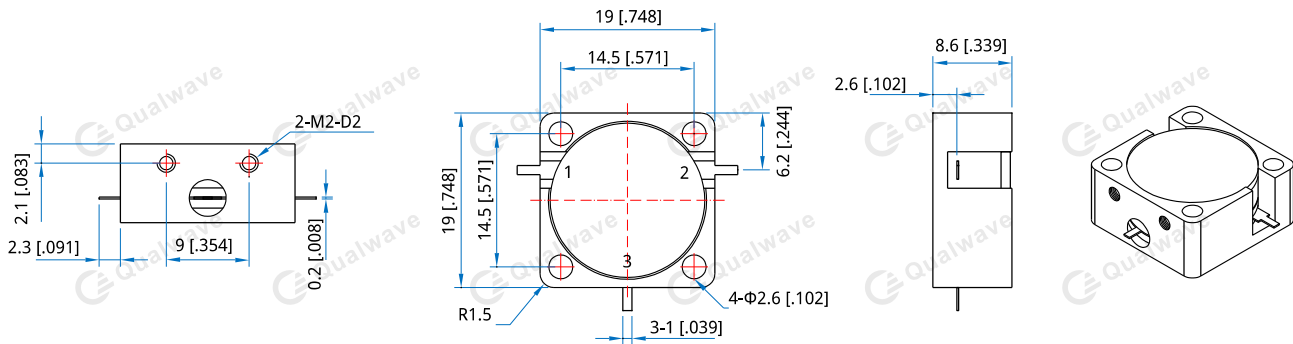
- \* Wireless
- \* Radar
- \* Laboratory Test

**Description**

QDC1919X series Drop-In Circulators cover frequency range 800~4300MHz. High power, high isolation and low insertion loss make it ideal for a lot of applications like amplifiers, transceivers, etc.

**Specifications**

Frequency (MHz)	Bandwidth (MHz)	Insertion Loss (dB Max.)	Isolation (dB Min.)	VSWR (Max.)	Average Power (W)	Temperature (°C)
800~1000	20	0.40	20.0	1.25	100	-30~+70
865~880	15	0.40	20.0	1.25	100	-30~+70
925~960	35	0.40	20.0	1.25	100	-30~+70
1000~1700	60	0.30	23.0	1.20	100	-30~+70
1000~1700	200	0.40	20.0	1.25	100	-30~+70
1030~1090	60	0.30	23.0	1.20	100	-30~+70
1000~1200	200	0.40	20.0	1.25	100	-30~+70
1100~1300	200	0.40	20.0	1.25	100	-30~+70
1325~1375	50	0.30	23.0	1.20	100	-30~+70
1500~1700	200	0.40	20.0	1.20	100	-30~+70
1700~3000	75	0.30	23.0	1.20	100	-30~+70
1700~3000	200	0.40	20.0	1.25	100	-30~+70
1700~1900	200	0.40	20.0	1.25	100	-30~+70
1710~1785	75	0.30	23.0	1.20	100	-30~+70
1805~1880	75	0.30	23.0	1.20	100	-30~+70
1920~1980	60	0.30	23.0	1.20	100	-30~+70
2110~2170	60	0.30	23.0	1.20	100	-30~+70
2000~2200	200	0.30	23.0	1.20	100	-30~+70
2100~2300	200	0.35	21.0	1.19	100	-40~+125
2100~2700	600	0.50	18.0	1.35	100	-30~+70
2200~2400	200	0.30	23.0	1.20	100	-30~+70
2300~2500	200	0.30	23.0	1.20	100	-30~+70
2300~2700	400	0.40	20.0	1.25	100	-30~+70
2700~3100	400	0.40	20.0	1.25	100	-30~+70
3100~3400	300	0.40	20.0	1.25	100	-30~+70
3400~3600	200	0.30	23.0	1.20	100	-30~+70
3400~4300	900	0.50	20.0	1.25	100	-30~+70

**Outline Drawings**


Unit: mm [inch]      Tolerance:  $\pm 0.2\text{mm}$  [ $\pm 0.008\text{in}$ ]

**Mechanical**

Size <sup>*1</sup> :	19*19*8.6mm 0.748*0.748*0.339in
Connector Type:	Strip line
Mounting:	4-Φ2.6mm through-hole 2-M2, depth 2mm

[1] Exclude connectors

**Direction Naming Rules:**

- 1 - Clockwise
- 2 - Anticlockwise

**How To Order**
**QDC1919X-W-X-Y-Z**

- W: Start frequency in MHz
- X: Stop frequency in MHz
- Y: Average Power in W
- Z: Direction type

**Examples:**

To order a QDC1919X series Circulator, 925~960MHz, 100W, Clockwise, specify QDC1919X-925-960-K1-1.

Customization is available upon request.