

QDC2123B

High Power, High Isolation

Features:

- * High Power
- * High Isolation
- * Low Insertion Loss
- * Low VSWR

Applications:

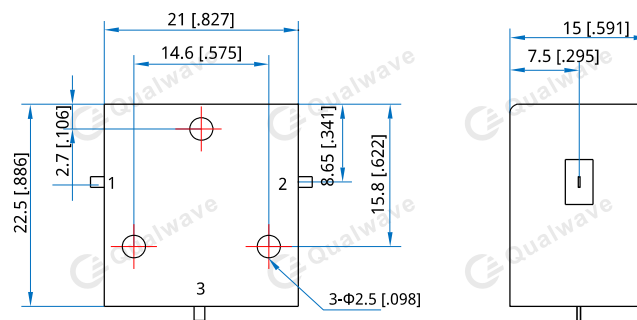
- * Wireless
- * Radar
- * Laboratory Test

Description

QDC2123B series Drop-In Circulators cover frequency range 4-8GHz. High power, high isolation and low insertion loss make it ideal for a lot of applications like amplifiers, transceivers, etc.

Specifications

Frequency (MHz)	Bandwidth (MHz)	Insertion Loss (dB Max.)	Isolation (dB Min.)	VSWR (Max.)	Average Power (W)	Temperature (°C)
4000~8000	4000	0.60	18.0	1.35	60	0~+60

Outline Drawings


Unit: mm [inch]

 Tolerance: $\pm 0.2\text{mm}$ [$\pm 0.008\text{in}$]

Mechanical

Size*1: 21*22.5*15mm
0.827*0.886*0.591in

Connector Type: Strip line

Mounting: 3- $\Phi 2.5\text{mm}$ through-hole

[1] Exclude connectors

Direction Naming Rules:

- 1 - Clockwise
- 2 - Anticlockwise

How To Order
QDC2123B-W-X-Y-Z

W: Start frequency in MHz

X: Stop frequency in MHz

Y: Average Power in W

Z: Direction type

Examples:

To order a QDC2123B series Circulator, 4~8GHz, 60W, Clockwise, specify QDC2123B-4000-8000-60-1.

Customization is available upon request.