

# QDC2525X

## High Power, High Isolation

**Features:**

- \* High Power
- \* High Isolation
- \* Low Insertion Loss
- \* Low VSWR

**Applications:**

- \* Wireless
- \* Radar
- \* Laboratory Test

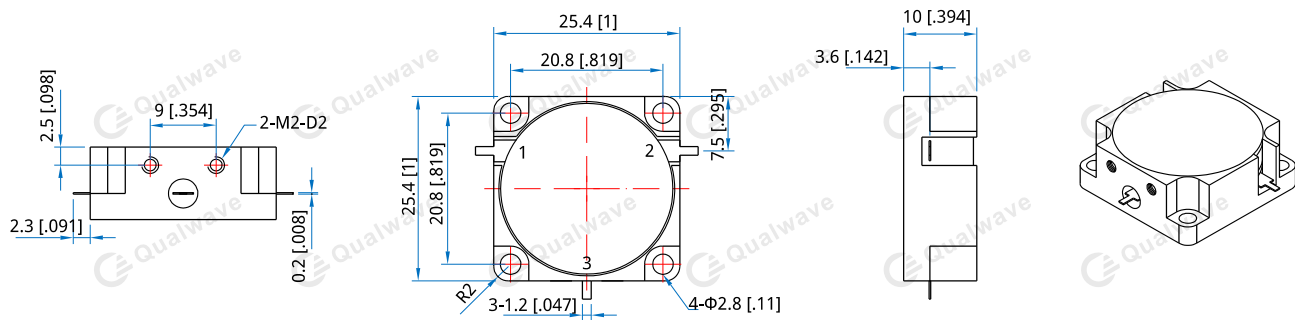
**Description**

QDC2525X series Drop-In Circulators cover frequency range 350~4000MHz. High power, high isolation and low insertion loss make it ideal for a lot of applications like amplifiers, transceivers, etc.

**Specifications**

Frequency (MHz)	Bandwidth (MHz)	Insertion Loss (dB Max.)	Isolation (dB Min.)	VSWR (Max.)	Average Power (W)	Temperature (°C)
350~400	20	0.50	20.0	1.25	100~250	-30~+70
400~800	20	0.40	23.0	1.25	100~250	-30~+70
400~800	70	0.40	20.0	1.20	100~250	-30~+70
700~1300	30	0.25	25.0	1.15	100~250	-30~+70
700~1300	100	0.40	20.0	1.25	100~250	-30~+70
746~870	124	0.40	20.0	1.20	100~250	-30~+70
869~894	25	0.25	25.0	1.20	100~250	-30~+70
885~915	30	0.25	25.0	1.20	100~250	-30~+70
850~960	110	0.40	20.0	1.25	100~250	-30~+70
920~960	40	0.25	25.0	1.20	100~250	-30~+70
960~1215	255	0.40	20.0	1.25	100~250	-30~+70
1010~1050	40	0.35	20.0	1.20	100	-40~+85
1030~1090	60	0.30	23.0	1.20	100~250	-30~+70
1300~3000	75	0.25	25.0	1.15	100~250	-30~+70
1300~3000	100	0.30	23.0	1.20	100~250	-30~+70
1300~3000	200	0.40	20.0	1.25	100~250	-30~+70
1300~1800	500	0.40	16.0	1.40	100~250	-30~+70
1450~1475	25	0.25	23.0	1.20	150	-40~85
1500~1700	200	0.40	20.0	1.25	100~250	-30~+70
1520~1545	25	0.25	23.0	1.20	150	-40~+85
1700~1900	200	0.40	20.0	1.25	100~250	-30~+70
1805~1880	75	0.40	20.0	1.25	100, 150	-40~+125
1880~2650	770	0.65	15.0	1.45	100~250	-30~+70
1900~2200	300	0.40	20.0	1.25	100~250	-30~+70
2010~2170	160	0.40	20.0	1.25	100	-30~+75
2100~2700	600	0.50	18.0	1.35	100~250	-30~+70
2110~2170	60	0.30	20.0	1.25	200	-40~+125
2300~2700	400	0.40	20.0	1.25	100~250	-30~+70
2400~2500	100	0.25	25.0	1.15	100~250	-30~+70
3000~4000	200	0.30	23.0	1.20	100~250	-30~+70
3000~4000	400	0.40	20.0	1.25	100~250	-30~+70
3400~3600	200	0.30	23.0	1.20	100~250	-30~+70
3600~3800	200	0.30	23.0	1.20	100~250	-30~+70

## Outline Drawings



Unit: mm [inch]      Tolerance:  $\pm 0.2\text{mm}$  [ $\pm 0.008\text{in}$ ]

### Mechanical

Size*1:	25.4*25.4*10mm 1*1*0.394in
Connector Type:	Strip line
Mounting:	4-Φ2.8mm through-hole 2-M2, depth 2mm

[1] Exclude connectors

### Direction Naming Rules:

- 1 - Clockwise
- 2 - Anticlockwise

### How To Order

#### QDC2525X-W-X-Y-Z

- W: Start frequency in MHz
- X: Stop frequency in MHz
- Y: Average Power in W
- Z: Direction type

#### Examples:

To order a QDC2525X series Circulator, 350~370MHz, 100W, Clockwise, specify QDC2525X-350-370-K1-1.

Customization is available upon request.