

# QDC3538X

## High Power, High Isolation

**Features:**

- \* High Power
- \* High Isolation
- \* Low Insertion Loss
- \* Low VSWR

**Applications:**

- \* Wireless
- \* Radar
- \* Laboratory Test

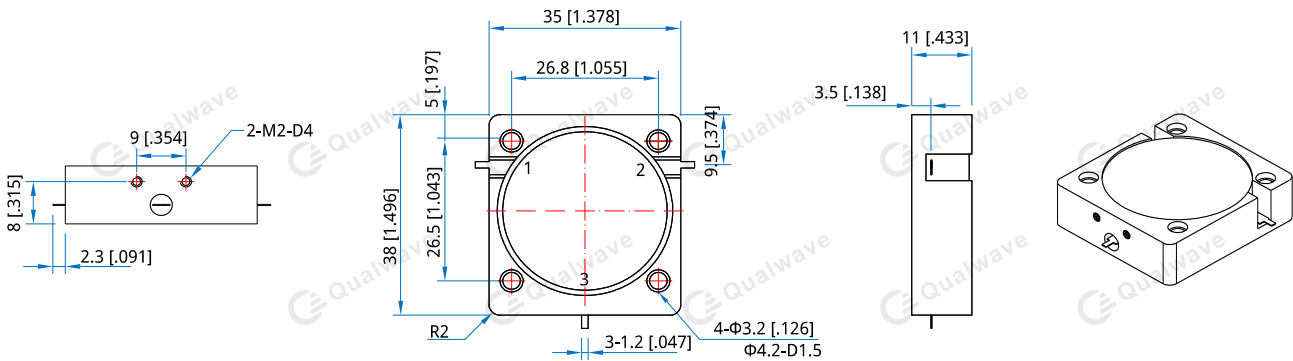
**Description**

QDC3538X series Drop-In Circulators cover frequency range 300~1850MHz. High power, high isolation and low insertion loss make it ideal for a lot of applications like amplifiers, transceivers, etc.

**Specifications**

Frequency (MHz)	Bandwidth (MHz)	Insertion Loss (dB Max.)	Isolation (dB Min.)	VSWR (Max.)	Average Power (W)	Temperature (°C)
300~350	50	0.70	18.0	1.35	100~300	-30~+70
300~400	20	0.40	20.0	1.25	100~300	-30~+70
350~370	20	0.40	23.0	1.20	100~300	-30~+70
361~366	5	0.40	23.0	1.20	100~300	-30~+70
400~470	70	0.40	20.0	1.25	100~300	-30~+70
400~600	20	0.30	23.0	1.20	100~300	-30~+70
400~600	50	0.40	20.0	1.25	100~300	-30~+70
470~570	100	0.40	20.0	1.25	100~300	-30~+70
500~700	200	0.70	18.0	1.30	100~300	-30~+70
600~800	30	0.25	25.0	1.15	100~300	-30~+70
600~800	100	0.30	23.0	1.20	100~300	-30~+70
600~800	200	0.45	19.0	1.25	100~300	-30~+70
700~1000	30	0.25	25	1.15	100~300	-30~+70
700~1000	100	0.30	23.0	1.20	100~300	-30~+70
700~1000	200	0.50	18.0	1.30	100~300	-30~+70
950~1450	500	0.60	18.0	1.30	100~300	-30~+70
960~1215	255	0.30	21.0	1.20	100~300	-30~+70
960~1260	300	0.45	20.0	1.25	100~300	-30~+70
1000~1500	500	0.60	18.0	1.30	100~300	-30~+70
1020~1040	20	0.25	25.0	1.15	100~300	-30~+70
1160~1610	450	0.50	20.0	1.25	100~300	-30~+70
1290~1310	20	0.25	25.0	1.15	100~300	-30~+70
1350~1850	500	0.50	20.0	1.25	100~300	-30~+70

## Outline Drawings



Unit: mm [inch]    Tolerance:  $\pm 0.2\text{mm}$  [ $\pm 0.008\text{in}$ ]

### Mechanical

Size <sup>*1</sup> :	35*35*11mm 1.378*1.378*0.433in
Connector Type:	Strip line
Mounting:	4- $\Phi 3.2\text{mm}$ through-hole $\Phi 3.2\text{mm}$ , depth 1.5mm 2-M2, depth 4mm

[1] Exclude connectors

### Direction Naming Rules:

- 1 - Clockwise
- 2 - Anticlockwise

### How To Order

#### QDC3538X-W-X-Y-Z

- W: Start frequency in MHz
- X: Stop frequency in MHz
- Y: Average Power in W
- Z: Direction type

#### Examples:

To order a QDC3538X series Circulator, 300~350MHz, 100W, Clockwise, specify QDC3538X-300-350-K1-1.

Customization is available upon request.