

QDC3838X

High Power, High Isolation

Features:
 * High Power
 * High Isolation
 * Low Insertion Loss
 * Low VSWR

Applications:
 * Wireless
 * Radar
 * Laboratory Test

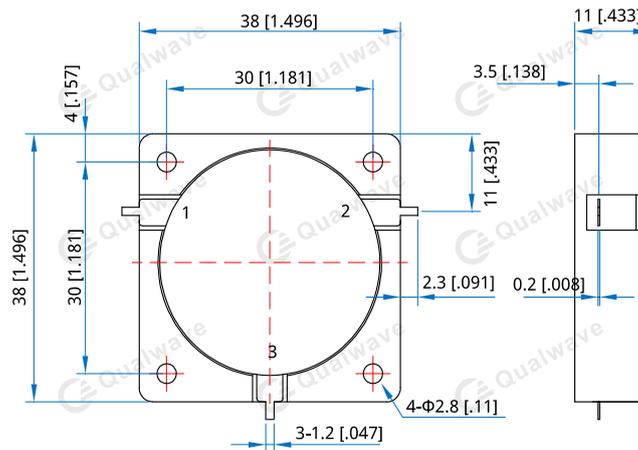
Description

QDC3838X series Drop-In Circulators cover frequency range 350~1850MHz. High power, high isolation and low insertion loss make it ideal for a lot of applications like amplifiers, transceivers, etc.

Specifications

Frequency (MHz)	Bandwidth (MHz)	Insertion Loss (dB Max.)	Isolation (dB Min.)	VSWR (Max.)	Average Power (W Max.)	Temperature (°C)
470~570	100	0.40	20.0	1.25	300	-30~+70
600~702	102	0.30	23.0	1.20	300	-30~+70
700~806	106	0.30	23.0	1.20	300	-30~+70

Outline Drawings



Unit: mm [inch] Tolerance: ±0.2mm [±0.008in]

Mechanical

Size*1: 38*38*11mm
 1.496*1.496*0.433in
 Connector Type: Strip line
 Mounting: 4-Φ2.8mm through-hole

[1] Exclude connectors

Direction Naming Rules:

1 - Clockwise
 2 - Anticlockwise

How To Order

QDC3838X-W-X-Y-Z
 W: Start frequency in MHz
 X: Stop frequency in MHz
 Y: Average Power in W
 Z: Direction type

Examples:

To order a QDC3838X series Circulator, 600~702MHz, 300W, Clockwise, specify QDC3838X-600-702-K3-1.

Customization is available upon request.