

QDC4545X

High Power, High Isolation

- Features:
- * High Power
 - * High Isolation
 - * Low Insertion Loss
 - * Low VSWR

- Applications:
- * Wireless
 - * Radar
 - * Laboratory Test

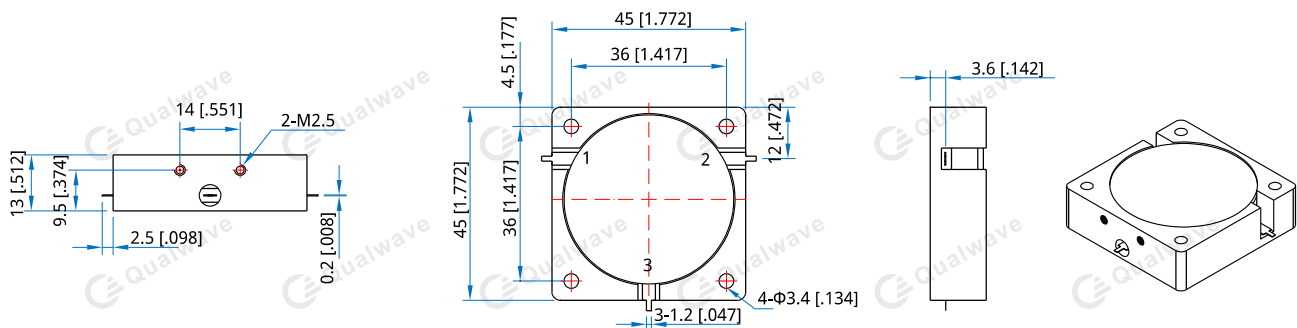
Description

QDC4545X series Drop-In Circulators cover frequency range 300~1000MHz. High power, high isolation and low insertion loss make it ideal for a lot of applications like amplifiers, transceivers, etc.

Specifications

Frequency (MHz)	Bandwidth (MHz)	Insertion Loss (dB Max.)	Isolation (dB Min.)	VSWR (Max.)	Average Power (W)	Temperature (°C)
300~420	20	0.30	23.0	1.20	100~400	-30~+70
300~420	30	0.40	20.0	1.25	100~400	-30~+70
300~420	120	0.60	18.0	1.30	100~400	-30~+70
361~366	5	0.20	30.0	1.15	100~400	-30~+70
400~470	70	0.40	20.0	1.25	100~400	-30~+70
400~500	30	0.30	23.0	1.20	100~400	-30~+70
400~500	100	0.40	20.0	1.25	100~400	-30~+70
500~700	50	0.40	20.0	1.25	100~400	-30~+70
500~700	150	0.50	18.0	1.30	100~400	-30~+70
700~900	200	0.40	20.0	1.25	100~400	-30~+70
700~1000	300	0.50	18.0	1.30	100~400	-30~+70
800~1000	200	0.40	20.0	1.20	100~400	-30~+70
800~1100	300	0.50	18.0	1.30	100~400	-30~+70

Outline Drawings



Unit: mm [inch] Tolerance: ±0.2mm [±0.008in]

Mechanical

Size*1:	45*45*13mm 1.772*1.772*0.512in
Connector Type:	Strip line
Mounting:	4- Φ 3.4mm through-hole 2-M2.5

[1] Exclude connectors

Direction Naming Rules:

- 1 - Clockwise
- 2 - Anticlockwise

How To Order**QDC4545X-W-X-Y-Z**

W: Start frequency in MHz

X: Stop frequency in MHz

Y: Average Power in W

Z: Direction type

Examples:

To order a QDC4545X series Circulator, 320~330MHz, 200W, Clockwise, specify QDC4545X-320-330-K2-1.

Customization is available upon request.