

QDC5050A

High Power, High Isolation

Features:
 * High Power
 * High Isolation
 * Low Insertion Loss
 * Low VSWR

Applications:
 * Wireless
 * Radar
 * Laboratory Test

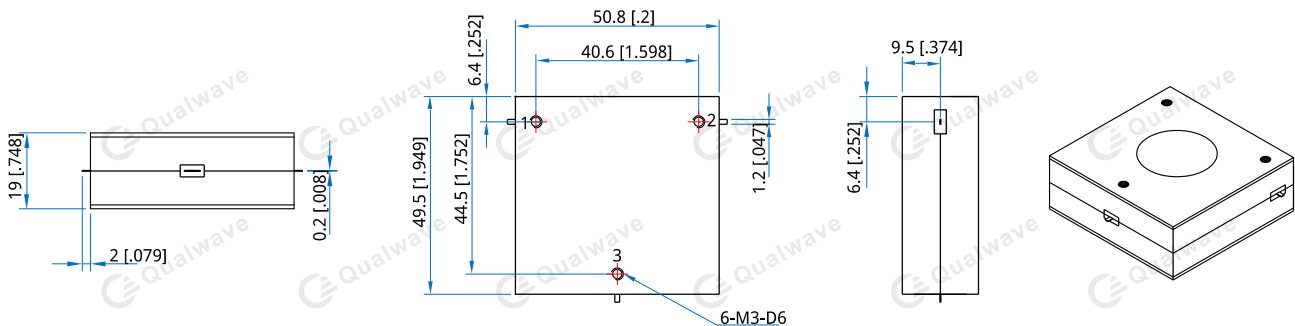
Description

QDC5050A series Drop-In Circulators cover frequency range 1.5~3GHz. High power, high isolation and low insertion loss make it ideal for a lot of applications like amplifiers, transceivers, etc.

Specifications

Frequency (MHz)	Bandwidth (MHz)	Insertion Loss (dB Max.)	Isolation (dB Min.)	VSWR (Max.)	Average Power (W)	Temperature (°C)
1500~3000	1500	0.7	17	1.4	10~100	0~+60
1700~2500	800	0.5	18	1.3	100	-30~+85

Outline Drawings



Unit: mm [inch] Tolerance: ±0.2mm [±0.008in]

Mechanical

Size*1: 50.8*49.5*19mm
 2*1.949*0.748in
 Connector Type: Strip line
 Mounting: 6-M3, depth 6mm

[1] Exclude connectors

How To Order

QDC5050A-W-X-Y-Z
 W: Start frequency in MHz
 X: Stop frequency in MHz
 Y: Average Power in W
 Z: Direction type

Examples:

To order a QDC5050A series Circulator, 1300~2600MHz, 100W, Clockwise, specify QDC5050A-1300-2600-K1-1.

Customization is available upon request.