

# QDC5050X

## High Power, High Isolation

**Features:**

- \* High Power
- \* High Isolation
- \* Low Insertion Loss
- \* Low VSWR

**Applications:**

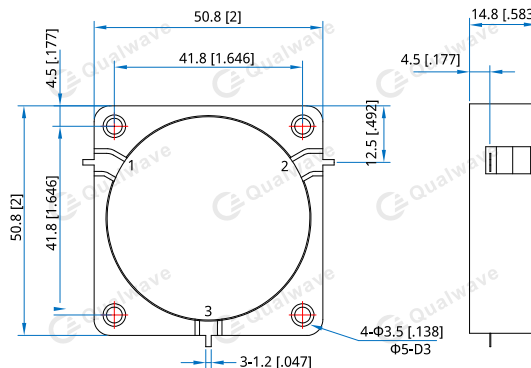
- \* Wireless
- \* Radar
- \* Laboratory Test

**Description**

QDC5050X series Drop-In Circulators cover frequency range 150~330MHz. High power, high isolation and low insertion loss make it ideal for a lot of applications like amplifiers, transceivers, etc.

**Specifications**

Frequency (MHz)	Bandwidth (MHz)	Insertion Loss (dB Max.)	Isolation (dB Min.)	VSWR (Max.)	Average Power (W)	Temperature (°C)
150~200	10	0.70	18.0	1.30	100~400	-30~+70
192~232	40	0.60	18.0	1.30	100~400	-30~+70
200~220	20	0.40	20.0	1.25	100~400	-30~+70
220~240	20	0.40	20.0	1.25	100~400	-30~+70
260~330	10	0.20	23.0	1.20	100~400	-30~+70
260~330	70	0.40	20.0	1.25	100~400	-30~+70

**Outline Drawings**


Unit: mm [inch] Tolerance: ±0.2mm [±0.008in]

**Mechanical**

Size*1:	50.8*50.8*14.8mm 2*2*0.583in
Connector Type:	Strip line
Mounting:	4-Φ3.5mm through-hole Φ5, depth 3mm

[1] Exclude connectors

**Direction Naming Rules:**

- 1 - Clockwise
- 2 - Anticlockwise

**How To Order**
**QDC5050X-W-X-Y-Z**

- W: Start frequency in MHz
- X: Stop frequency in MHz
- Y: Average Power in W
- Z: Direction type

**Examples:**

To order a QDC5050X series Circulator, 160~166MHz, 200W, Clockwise, specify QDC5050X-160-166-K2-1.

Customization is available upon request.