

QDI1313T

High Power, High Isolation

Features:
 * High Power
 * High Isolation
 * Low Insertion Loss
 * Low VSWR

Applications:
 * Wireless
 * Radar
 * Laboratory Test

Description

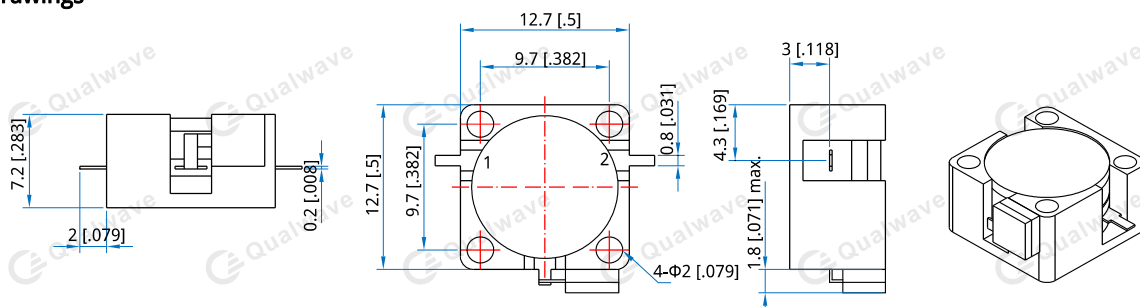
QDI1313T series Drop-In Isolators cover frequency range 1070~5900MHz. High power, high isolation and low insertion loss make it ideal for a lot of applications like amplifiers, transceivers, etc.

Specifications

Frequency (MHz)	Bandwidth (MHz)	Insertion Loss (dB Max.)	Isolation (dB Min.)	VSWR (Max.)	Fwd Power (W Max.)	Rev Power (W)	Temperature (°C)
1070~1110	40	0.50	18.0	1.30	50*1	20	-45~+85
1710~1785	75	0.30	23.0	1.20	60	20	-30~+70
1805~1880	75	0.30	23.0	1.20	60	20	-30~+70
1805~1920	115	0.40	20.0	1.25	60	20	-30~+70
1880~1920	40	0.30	23.0	1.20	60	20	-30~+70
2110~2170	60	0.30	23.0	1.20	60	20	-30~+70
2300~2400	100	0.30	23.0	1.20	60	20	-30~+70
2400~2500	100	0.30	23.0	1.20	60	20	-30~+70
2500~2700	200	0.30	23.0	1.20	60	20	-30~+70
2700~2900	200	0.30	23.0	1.20	60	20	-30~+70
2900~3100	200	0.30	23.0	1.20	60	20	-30~+70
3000~5000	200	0.35	20.0	1.25	60	20	-30~+70
3250~3450	200	0.35	20.0	1.25	60	20	-30~+70
3300~3500	200	0.35	20.0	1.25	60	20	-30~+70
3500~3650	150	0.35	20.0	1.25	60	20	-30~+70
4000~4400	400	0.60	18.0	1.30	30	20	-30~+75
4400~5000	600	0.60	18.0	1.30	30	20	-40~+85
5100~5900	800	0.60	16.0	1.30	30	20	-30~+70
5700~5900	200	0.40	20.0	1.25	60	20	-30~+70

[1] Peak Power: 500W (10μS pulse width, 2% duty cycle)

Outline Drawings



Unit: mm [inch] Tolerance: ±0.2mm [±0.008in]

Mechanical

Size ^{*1} :	12.7*12.7*7.2mm 0.5*0.5*0.283in
Connector Type:	Strip line
Mounting:	4-Φ2mm through-hole

[1] Exclude connectors and terminations.

Direction Naming Rules:

- 1 - Clockwise
- 2 - Anticlockwise

How To Order**QDI1313T-V-W-X-Y-Z**

V: Start frequency in MHz
W: Stop frequency in MHz
X: Forward Power in W
Y: Reverse Power in W
Z: Direction type

Examples:

To order a QDI1313T series Isolator, 3300~3500MHz, Forward power 60W, Reverse power 20W, Clockwise, specify QDI1313T-3300-3500-60-20-1.

Customization is available upon request.