

QDI1919X

High Power, High Isolation

Features:

- * High Power
- * High Isolation
- * Low Insertion Loss
- * Low VSWR

Applications:

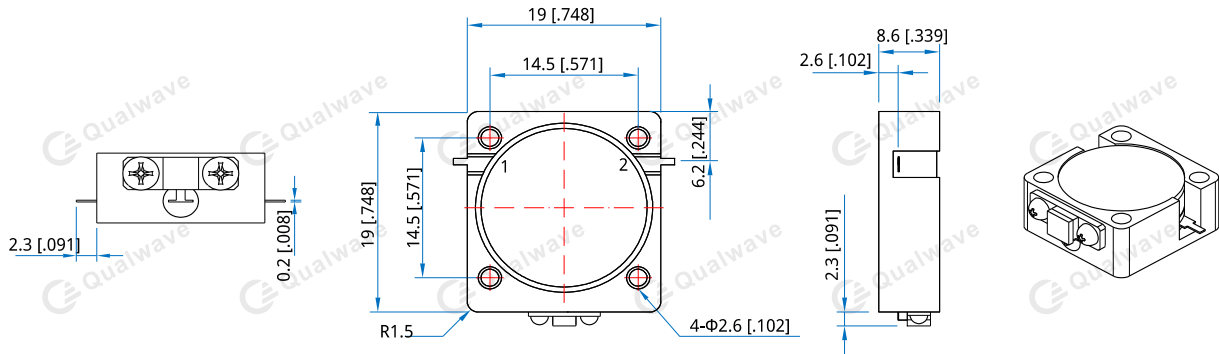
- * Wireless
- * Radar
- * Laboratory Test

Description

QDI1919X series Drop-In Isolators cover frequency range 800~4300MHz. High power, high isolation and low insertion loss make it ideal for a lot of applications like amplifiers, transceivers, etc.

Specifications

| Frequency (MHz) | Bandwidth (MHz) | Insertion Loss (dB Max.) | Isolation (dB Min.) | VSWR (Max.) | Fwd Power (W Max.) | Rev Power (W) | Temperature (°C) |
|-----------------|-----------------|--------------------------|---------------------|-------------|--------------------|---------------|------------------|
| 800~1000 | 20 | 0.40 | 20.0 | 1.25 | 100 | 20 | -30~+70 |
| 865~880 | 15 | 0.40 | 20.0 | 1.25 | 100 | 20 | -30~+70 |
| 925~960 | 35 | 0.40 | 20.0 | 1.25 | 100 | 20 | -30~+70 |
| 1000~1700 | 60 | 0.30 | 23.0 | 1.20 | 100 | 20 | -30~+70 |
| 1000~1700 | 200 | 0.40 | 20.0 | 1.25 | 100 | 20 | -30~+70 |
| 1030~1090 | 60 | 0.30 | 23.0 | 1.20 | 100 | 20 | -30~+70 |
| 1000~1200 | 200 | 0.40 | 20.0 | 1.25 | 100 | 20 | -30~+70 |
| 1100~1300 | 200 | 0.40 | 20.0 | 1.25 | 100 | 20 | -30~+70 |
| 1325~1375 | 50 | 0.30 | 23.0 | 1.20 | 100 | 20 | -30~+70 |
| 1500~1700 | 200 | 0.40 | 20.0 | 1.20 | 100 | 20 | -30~+70 |
| 1700~3000 | 75 | 0.30 | 23.0 | 1.20 | 100 | 20 | -30~+70 |
| 1700~3000 | 200 | 0.40 | 20.0 | 1.25 | 100 | 20 | -30~+70 |
| 1700~1900 | 200 | 0.40 | 20.0 | 1.25 | 100 | 20 | -30~+70 |
| 1710~1785 | 75 | 0.30 | 23.0 | 1.20 | 100 | 20 | -30~+70 |
| 1805~1880 | 75 | 0.30 | 23.0 | 1.20 | 100 | 20 | -30~+70 |
| 1920~1980 | 70 | 0.30 | 23.0 | 1.20 | 100 | 20 | -30~+70 |
| 2110~2170 | 60 | 0.30 | 23.0 | 1.20 | 100 | 20 | -30~+70 |
| 2000~2200 | 200 | 0.30 | 23.0 | 1.20 | 100 | 20 | -30~+70 |
| 2100~2700 | 600 | 0.50 | 18.0 | 1.35 | 100 | 20 | -30~+70 |
| 2200~2400 | 200 | 0.30 | 23.0 | 1.20 | 100 | 20 | -30~+70 |
| 2300~2500 | 200 | 0.30 | 23.0 | 1.20 | 100 | 20 | -30~+70 |
| 2300~2700 | 400 | 0.40 | 20.0 | 1.25 | 100 | 20 | -30~+70 |
| 2700~3100 | 400 | 0.40 | 20.0 | 1.25 | 100 | 20 | -30~+70 |
| 3100~3400 | 300 | 0.40 | 20.0 | 1.25 | 100 | 20 | -30~+70 |
| 3400~3600 | 200 | 0.30 | 23.0 | 1.20 | 100 | 20 | -30~+70 |
| 3400~4300 | 900 | 0.50 | 20.0 | 1.25 | 100 | 20 | -30~+70 |

Outline Drawings


Unit: mm [inch] Tolerance: $\pm 0.2\text{mm}$ [$\pm 0.008\text{in}$]

Mechanical

Size^{*1}: 19*19*8.6mm
0.748*0.748*0.339in

Connector Type: Strip line

Mounting: 4- $\Phi 2.6\text{mm}$ through-hole

[1] Exclude connectors and terminations.

Direction Naming Rules:

- 1 - Clockwise
- 2 - Anticlockwise

How To Order
QDI1919X-V-W-X-Y-Z

V: Start frequency in MHz

W: Stop frequency in MHz

X: Forward Power in W

Y: Reverse Power in W

Z: Direction type

Examples:

To order a QDI1919X series Isolator, 2300~2700MHz, Forward power 100W, Reverse power 20W, Clockwise, specify QDI1919X-2300-2700-K1-20-1.

Customization is available upon request.