

# QDI1925X

## High Power, High Isolation

**Features:**

- \* High Power
- \* High Isolation
- \* Low Insertion Loss
- \* Low VSWR

**Applications:**

- \* Wireless
- \* Radar
- \* Laboratory Test

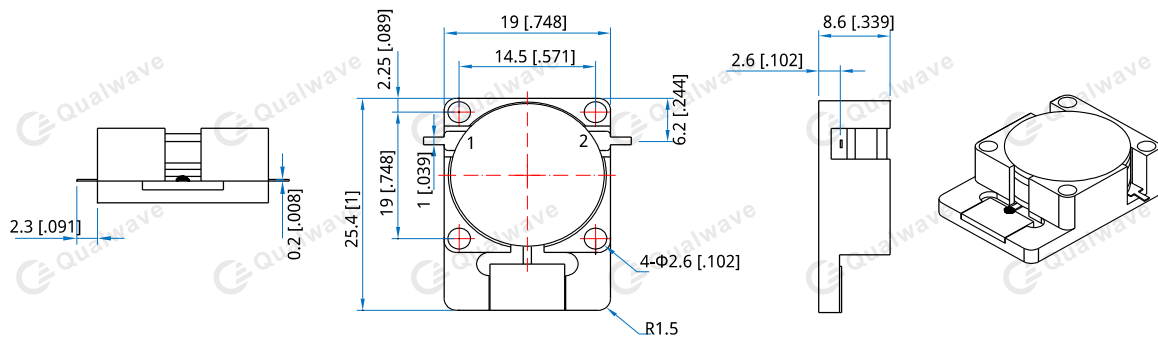
**Description**

QDI1925X series Drop-In Isolators cover frequency range 800~3600MHz. High power, high isolation and low insertion loss make it ideal for a lot of applications like amplifiers, transceivers, etc.

**Specifications**

Frequency (MHz)	Bandwidth (MHz)	Insertion Loss (dB Max.)	Isolation (dB Min.)	VSWR (Max.)	Fwd Power (W Max.)	Rev Power (W)	Temperature (°C)
800~1000	20	0.40	20.0	1.25	100	100	-30~+70
865~880	15	0.40	20.0	1.25	100	100	-30~+70
925~960	35	0.40	20.0	1.25	100	100	-30~+70
1000~1700	60	0.30	23.0	1.20	100	100	-30~+70
1000~1700	200	0.40	20.0	1.25	100	100	-30~+70
1030~1090	60	0.30	23.0	1.20	100	100	-30~+70
1000~1200	200	0.40	20.0	1.25	100	100	-30~+70
1100~1300	200	0.40	20.0	1.25	100	100	-30~+70
1325~1375	50	0.30	23.0	1.20	100	100	-30~+70
1500~1700	200	0.40	20.0	1.20	100	100	-30~+70
1700~3000	75	0.30	23.0	1.20	100	100	-30~+70
1700~3000	200	0.40	20.0	1.25	100	100	-30~+70
1700~1900	200	0.40	20.0	1.25	100	100	-30~+70
1710~1785	75	0.30	23.0	1.20	100	100	-30~+70
1805~1880	75	0.30	23.0	1.20	100	100	-30~+70
1920~1980	70	0.30	23.0	1.20	100	100	-30~+70
2110~2170	60	0.30	23.0	1.20	100	100	-30~+70
2000~2200	200	0.30	23.0	1.20	100	100	-30~+70
2100~2700	600	0.50	18.0	1.35	100	100	-30~+70
2200~2400	200	0.30	23.0	1.20	100	100	-30~+70
2300~2500	200	0.30	23.0	1.20	100	100	-30~+70
2300~2700	400	0.40	20.0	1.25	100	100	-30~+70
2700~3100	400	0.40	20.0	1.25	100	100	-30~+70
3100~3400	300	0.40	20.0	1.25	100	100	-30~+70
3400~3600	200	0.30	23.0	1.20	100	100	-30~+70
3400~4300	900	0.50	20.0	1.25	100	100	-30~+70

## Outline Drawings



Unit: mm [inch]      Tolerance:  $\pm 0.2\text{mm}$  [ $\pm 0.008\text{in}$ ]

### Mechanical

Size <sup>*1</sup> :	19*25.4*8.6mm 0.748*1*0.339in
Connector Type:	Strip line
Mounting:	4-Φ2.6mm through-hole

[1] Exclude connectors and terminations.

### Direction Naming Rules:

- 1 - Clockwise
- 2 - Anticlockwise

### How To Order

**QDI1925X-V-W-X-Y-Z**  
 V: Start frequency in MHz  
 W: Stop frequency in MHz  
 X: Forward Power in W  
 Y: Reverse Power in W  
 Z: Direction type

#### Examples:

To order a QDI1925X series Isolator, 2700~3100MHz, Forward power 100W, Reverse power 100W, Clockwise, specify QDI1925X-2700-3100-K1-K1-1.

Customization is available upon request.