

# QDI2020X

## High Power, High Isolation

**Features:**

- \* High Power
- \* High Isolation
- \* Low Insertion Loss
- \* Low VSWR

**Applications:**

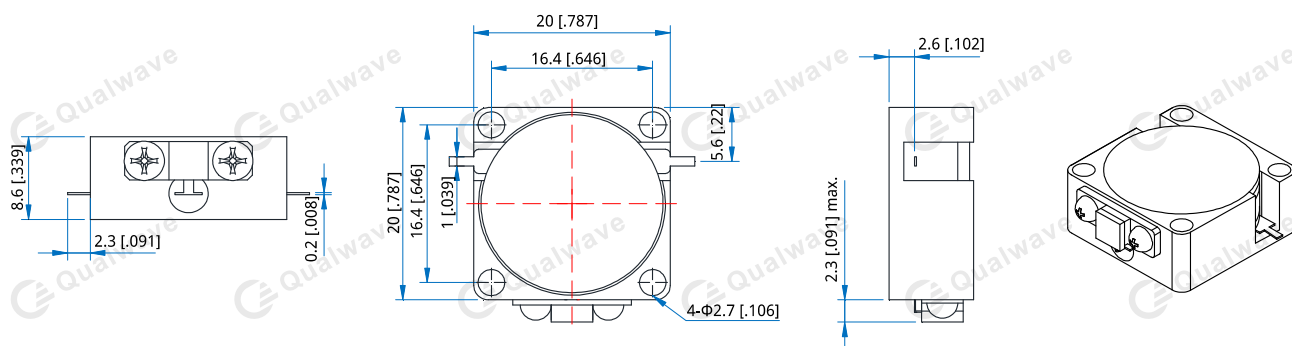
- \* Wireless
- \* Radar
- \* Laboratory Test

**Description**

QDI2020X series Drop-In Isolators cover frequency range 600~4000MHz. High power, high isolation and low insertion loss make it ideal for a lot of applications like amplifiers, transceivers, etc.

**Specifications**

Frequency (MHz)	Bandwidth (MHz)	Insertion Loss (dB Max.)	Isolation (dB Min.)	VSWR (Max.)	Fwd Power (W Max.)	Rev Power (W)	Temperature (°C)
600~800	20	0.40	23.0	1.20	150	20	-30~+70
600~800	50	0.40	20.0	1.25	150	20	-30~+70
700~1300	30	0.25	25.0	1.15	150	20	-30~+70
700~1300	100	0.40	20.0	1.25	150	20	-30~+70
825~875	50	0.40	20.0	1.20	150	20	-30~+70
869-894	25	0.25	25.0	1.20	150	20	-30~+70
885~915	30	0.25	25.0	1.20	150	20	-30~+70
850~960	110	0.40	20.0	1.25	150	20	-30~+70
920~960	40	0.25	25.0	1.20	150	20	-30~+70
1030~1090	60	0.30	23.0	1.20	150	20	-30~+70
1300~3000	75	0.25	25.0	1.15	150	20	-30~+70
1300~3000	100	0.30	23.0	1.20	150	20	-30~+70
1300~3000	200	0.40	20.0	1.25	150	20	-30~+70
1500~1700	200	0.40	20.0	1.25	150	20	-30~+70
1700~1900	200	0.40	20.0	1.25	150	20	-30~+70
1900~2200	300	0.40	20.0	1.25	150	20	-30~+70
2100~2700	600	0.50	18.0	1.35	150	20	-30~+70
2300~2700	400	0.40	20.0	1.25	150	20	-30~+70
2400~2500	100	0.25	25.0	1.15	150	20	-30~+70
2500~2700	200	0.30	23.0	1.20	150	20	-30~+70
3000~4000	200	0.30	23.0	1.20	150	20	-30~+70
3000~4000	400	0.40	20.0	1.25	150	20	-30~+70
3200~3900	700	0.40	20.0	1.25	150	20	-30~+70
3300~3600	300	0.40	23.0	1.20	150	20	-30~+70
3400~4300	900	0.50	20.0	1.25	150	20	-30~+70
3600~3800	200	0.30	23.0	1.20	150	20	-30~+70

**Outline Drawings**


Unit: mm [inch]    Tolerance:  $\pm 0.2\text{mm}$  [ $\pm 0.008\text{in}$ ]

**Mechanical**

Size<sup>\*1</sup>: 20\*20\*8.6mm  
 0.787\*0.787\*0.339in  
 Connector Type: Strip line  
 Mounting: 4-Φ2.7mm through-hole

[1] Exclude connectors and terminations.

**Direction Naming Rules:**

- 1 - Clockwise
- 2 - Anticlockwise

**How To Order**
**QDI2020X-V-W-X-Y-Z**

V: Start frequency in MHz  
 W: Stop frequency in MHz  
 X: Forward Power in W  
 Y: Reverse Power in W  
 Z: Direction type

**Examples:**

To order a QDI2020X series Isolator, 3600~3800MHz, Forward power 150W, Reverse power 20W, Clockwise, specify QDI2020X-3600-3800-K15-20-1.

Customization is available upon request.