

# QDI2027X

## High Power, High Isolation

**Features:**

- \* High Power
- \* High Isolation
- \* Low Insertion Loss
- \* Low VSWR

**Applications:**

- \* Wireless
- \* Radar
- \* Laboratory Test

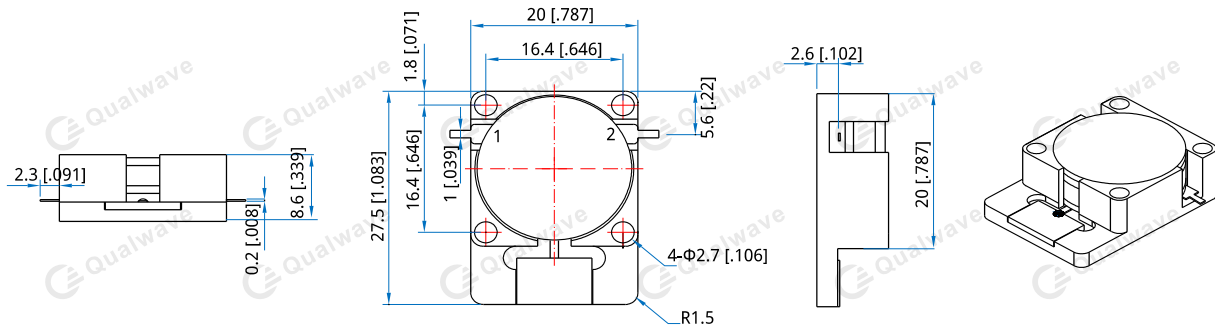
**Description**

QDI2027X series Drop-In Isolators cover frequency range 600~3600MHz. High power, high isolation and low insertion loss make it ideal for a lot of applications like amplifiers, transceivers, etc.

**Specifications**

Frequency (MHz)	Bandwidth (MHz)	Insertion Loss (dB Max.)	Isolation (dB Min.)	VSWR (Max.)	Fwd Power (W Max.)	Rev Power (W)	Temperature (°C)
600~800	20	0.40	23.0	1.20	150	100	-30~+70
600~800	50	0.40	20.0	1.25	150	100	-30~+70
700~1300	30	0.25	25.0	1.15	150	100	-30~+70
700~1300	100	0.40	20.0	1.25	150	100	-30~+70
825~875	50	0.40	20.0	1.20	150	100	-30~+70
869-894	25	0.25	25.0	1.20	150	100	-30~+70
885~915	30	0.25	25.0	1.20	150	100	-30~+70
850~960	110	0.40	20.0	1.25	150	100	-30~+70
920~960	40	0.25	25.0	1.20	150	100	-30~+70
1030~1090	60	0.30	23.0	1.20	150	100	-30~+70
1300~3000	75	0.25	25.0	1.15	150	100	-30~+70
1300~3000	100	0.30	23.0	1.20	150	100	-30~+70
1300~3000	200	0.40	20.0	1.25	150	100	-30~+70
1500~1700	200	0.40	20.0	1.25	150	100	-30~+70
1700~1900	200	0.40	20.0	1.25	150	100	-30~+70
1900~2200	300	0.40	20.0	1.25	150	100	-30~+70
2100~2700	600	0.50	18.0	1.35	150	100	-30~+70
2300~2700	400	0.40	20.0	1.25	150	100	-30~+70
2400~2500	100	0.25	25.0	1.15	150	100	-30~+70
2500~2700	200	0.30	23.0	1.20	150	100	-30~+70
3000~4000	200	0.30	23.0	1.20	150	100	-30~+70
3000~4000	400	0.40	20.0	1.25	150	100	-30~+70
3200~3900	700	0.40	20.0	1.25	150	100	-30~+70
3300~3600	300	0.40	23.0	1.20	150	100	-30~+70
3400~4300	900	0.50	20.0	1.25	150	100	-30~+70
3600~3800	200	0.30	23.0	1.20	150	100	-30~+70

## Outline Drawings



Unit: mm [inch]      Tolerance:  $\pm 0.2\text{mm}$  [ $\pm 0.008\text{in}$ ]

### Mechanical

Size\*1: 20\*27.5\*8.6mm  
0.787\*1.083\*0.339in

Connector Type: Strip line

Mounting: 4- $\Phi 2.7\text{mm}$  through-hole

[1] Exclude connectors and terminations.

### Direction Naming Rules:

- 1 - Clockwise
- 2 - Anticlockwise

### How To Order

#### QDI2027X-V-W-X-Y-Z

V: Start frequency in MHz

W: Stop frequency in MHz

X: Forward Power in W

Y: Reverse Power in W

Z: Direction type

Examples:

To order a QDI2027X series Isolator, 3600~3800MHz, Forward power 150W, Reverse power 100W, Clockwise, specify QDI2027X-3600-3800-K15-K1-1.

Customization is available upon request.