

QDI2123B

High Power, High Isolation

Features:
 * High Power
 * High Isolation
 * Low Insertion Loss
 * Low VSWR

Applications:
 * Wireless
 * Radar
 * Laboratory Test

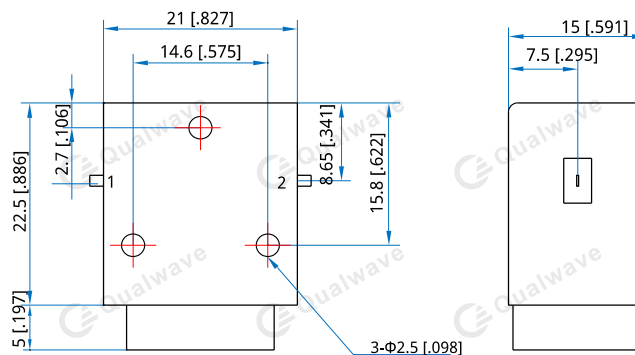
Description

QDI2123B series Drop-In Isolators cover frequency range 4000~8000MHz. High power, high isolation and low insertion loss make it ideal for a lot of applications like amplifiers, transceivers, etc.

Specifications

Frequency (MHz)	Bandwidth (MHz)	Insertion Loss (dB Max.)	Isolation (dB Min.)	VSWR (Max.)	Fwd Power (W Max.)	Rev Power (W)	Temperature (°C)
4000~8000	4000	0.60	18.0	1.35	60	20	0~+60
5600~7000	1400	0.50	18.0	1.30	60	20	0~+60
5800~6800	1000	0.50	19.0	1.30	60	20	0~+60
6000~8000	2000	0.40	18.0	1.30	60	20	0~+60

Outline Drawings



Unit: mm [inch] Tolerance: ±0.2mm [±0.008in]

Mechanical

Size*1: 21*22.5*15mm
 0.827*0.886*0.591in
 Connector Type: Strip line
 Mounting: 3-Φ2.5mm through-hole

[1] Exclude connectors and terminations.

Direction Naming Rules:

- 1 - Clockwise
- 2 - Anticlockwise

How To Order

QDI2123B-V-W-X-Y-Z

V: Start frequency in MHz
 W: Stop frequency in MHz
 X: Forward Power in W
 Y: Reverse Power in W
 Z: Direction type

Examples:

To order a QDI2123B series Isolator, 6000~8000MHz, Forward power 60W, Reverse power 20W, Clockwise, specify QDI2123B-6000-8000-60-20-1.

Customization is available upon request.