

QDI2525X

High Power, High Isolation

Features:

- * High Power
- * High Isolation
- * Low Insertion Loss
- * Low VSWR

Applications:

- * Wireless
- * Radar
- * Laboratory Test

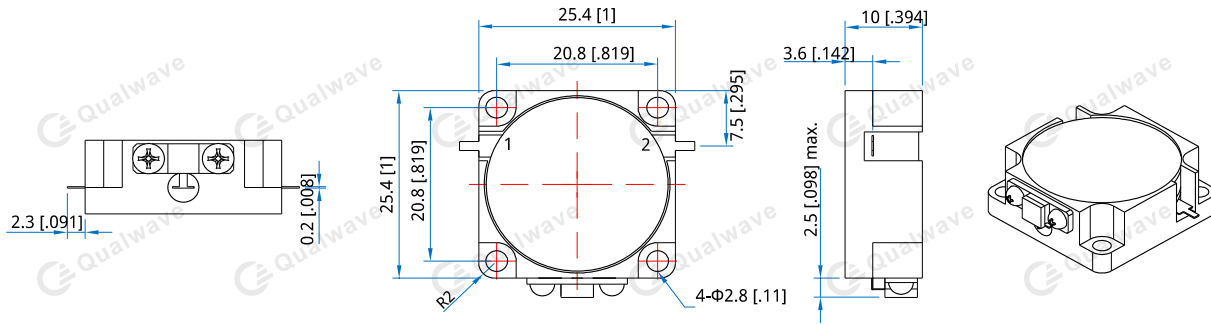
Description

QDI2525X series Drop-In Isolators cover frequency range 350~4000MHz. High power, high isolation and low insertion loss make it ideal for a lot of applications like amplifiers, transceivers, etc.

Specifications

Frequency (MHz)	Bandwidth (MHz)	Insertion Loss (dB Max.)	Isolation (dB Min.)	VSWR (Max.)	Fwd Power (W Max.)	Rev Power (W)	Temperature (°C)
350~400	20	0.50	20.0	1.25	250	10~100	-30~+70
400~800	20	0.40	23.0	1.25	250	10~100	-30~+70
400~800	70	0.40	20.0	1.20	250	10~100	-30~+70
700~1300	30	0.25	25.0	1.15	250	10~100	-30~+70
700~1300	100	0.40	20.0	1.25	250	10~100	-30~+70
746~870	124	0.40	20.0	1.25	250	10~100	-30~+70
869~894	25	0.25	20.0	1.20	250	10~100	-30~+70
885~915	30	0.25	25.0	1.20	250	10~100	-30~+70
850~960	110	0.40	20.0	1.25	250	10~100	-30~+70
920~960	40	0.25	25.0	1.20	250	10~100	-30~+70
960~1215	255	0.40	20.0	1.25	250	10~100	-30~+70
1030~1090	60	0.30	23.0	1.20	250	10~100	-30~+70
1300~3000	75	0.25	25.0	1.15	250	10~100	-30~+70
1300~3000	100	0.30	23.0	1.20	250	10~100	-30~+70
1300~3000	200	0.40	20.0	1.25	250	10~100	-30~+70
1300~1800	500	0.40	16.0	1.40	250	10~100	-30~+70
1500~1700	200	0.40	20.0	1.25	250	10~100	-30~+70
1700~1900	200	0.40	20.0	1.25	250	10~100	-30~+70
1880~2650	770	0.65	15.0	1.45	250	10~100	-30~+70
1900~2200	300	0.40	20.0	1.25	250	10~100	-30~+70
2100~2700	600	0.50	18.0	1.35	250	10~100	-30~+70
2300~2700	400	0.40	20.0	1.25	250	10~100	-30~+70
2400~2500	100	0.40	20.0	1.25	100	20	-30~+75
3000~4000	200	0.30	23.0	1.20	250	10~100	-30~+70
3000~4000	400	0.40	20.0	1.25	250	10~100	-30~+70
3400~3600	200	0.30	23.0	1.20	250	10~100	-30~+70
3600~3800	200	0.30	23.0	1.20	250	10~100	-30~+70

Outline Drawings



Unit: mm [inch] Tolerance: $\pm 0.2\text{mm}$ [$\pm 0.008\text{in}$]

Mechanical

Size*1: 25.4*25.4*10mm
 1*1*0.394in
 Connector Type: Strip line
 Mounting: 4-Φ2.8mm through-hole

[1] Exclude connectors and terminations.

Direction Naming Rules:

- 1 - Clockwise
- 2 - Anticlockwise

How To Order

QDI2525X-V-W-X-Y-Z

- V: Start frequency in MHz
- W: Stop frequency in MHz
- X: Forward Power in W
- Y: Reverse Power in W
- Z: Direction type

Examples:

To order a QDI2525X series Isolator, 3600~3800MHz, Forward power 200W, Reverse power 10W, Clockwise, specify QDI2525X-3600-3800-K2-10-1.

Customization is available upon request.