

QDI3538X

High Power, High Isolation

Features:

- * High Power
- * High Isolation
- * Low Insertion Loss
- * Low VSWR

Applications:

- * Wireless
- * Radar
- * Laboratory Test

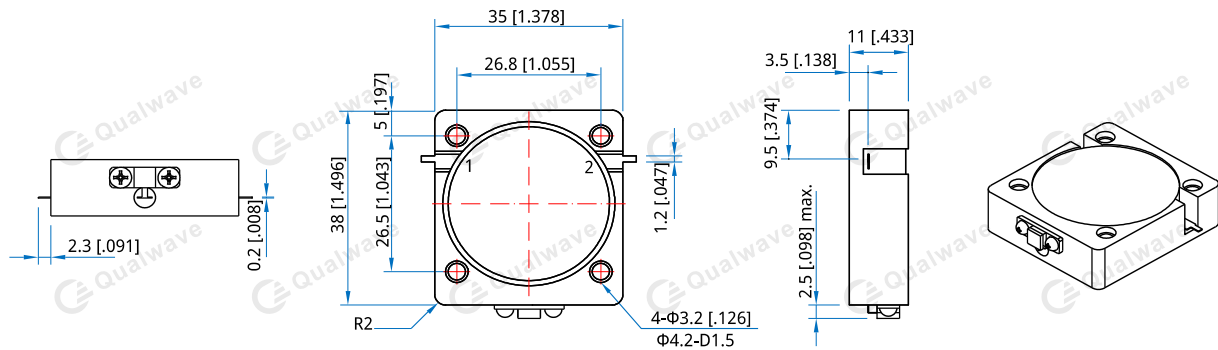
Description

QDI3538X series Drop-In Isolators cover frequency range 300~1850MHz. High power, high isolation and low insertion loss make it ideal for a lot of applications like amplifiers, transceivers, etc.

Specifications

Frequency (MHz)	Bandwidth (MHz)	Insertion Loss (dB Max.)	Isolation (dB Min.)	VSWR (Max.)	Fwd Power (W Max.)	Rev Power (W)	Temperature (°C)
300~350	50	0.70	18.0	1.35	300	10~100	-30~+70
300~400	20	0.40	20.0	1.25	300	10~100	-30~+70
350~370	20	0.40	23.0	1.20	300	10~100	-30~+70
361~366	5	0.40	23.0	1.20	300	10~100	-30~+70
400~470	70	0.40	20.0	1.25	300	10~100	-30~+70
400~600	20	0.30	23.0	1.20	300	10~100	-30~+70
400~600	50	0.40	20.0	1.25	300	10~100	-30~+70
470~570	100	0.40	20.0	1.25	300	10~100	-30~+70
500~700	200	0.70	18.0	1.30	300	10~100	-30~+70
600~800	30	0.25	25.0	1.15	300	10~100	-30~+70
600~800	100	0.30	23.0	1.20	300	10~100	-30~+70
600~800	200	0.45	19.0	1.25	300	10~100	-30~+70
700~1000	30	0.25	25	1.15	300	10~100	-30~+70
700~1000	100	0.30	23.0	1.20	300	10~100	-30~+70
700~1000	200	0.50	18.0	1.30	300	10~100	-30~+70
950~1450	500	0.60	18.0	1.30	300	10~100	-30~+70
960~1215	255	0.30	21.0	1.20	300	10~100	-30~+70
960~1260	300	0.45	20.0	1.25	300	10~100	-30~+70
1000~1500	500	0.60	18.0	1.30	300	10~100	-30~+70
1020~1040	20	0.25	25.0	1.15	300	10~100	-30~+70
1150~1600	450	0.60	16.0	1.40	100	20	-30~+75
1160~1610	450	0.50	20.0	1.25	300	10~100	-30~+70
1290~1310	20	0.25	25.0	1.15	300	10~100	-30~+70
1350~1850	500	0.50	20.0	1.25	300	10~100	-30~+70

Outline Drawings



Unit: mm [inch] Tolerance: $\pm 0.2\text{mm}$ [$\pm 0.008\text{in}$]

Mechanical

Size ^{*1} :	35*38*11 mm 1.378*1.496*0.433 in
Connector Type:	Strip line
Mounting:	4- $\Phi 3.2$ mm through-hole $\Phi 4.2$, depth 1.5 mm

[1] Exclude connectors and terminations.

Direction Naming Rules:

- 1 - Clockwise
- 2 - Anticlockwise

How To Order

QDI3538X-V-W-X-Y-Z

- V: Start frequency in MHz
- W: Stop frequency in MHz
- X: Forward Power in W
- Y: Reverse Power in W
- Z: Direction type

Examples:

To order a QDI3538X series Isolator, 700~730MHz, Forward power 300W, Reverse power 10W, Clockwise, specify QDI3538X-700-730-K3-10-1.

Customization is available upon request.