

QDI4545X

High Power, High Isolation

Features:
 * High Power
 * High Isolation
 * Low Insertion Loss
 * Low VSWR

Applications:
 * Wireless
 * Radar
 * Laboratory Test

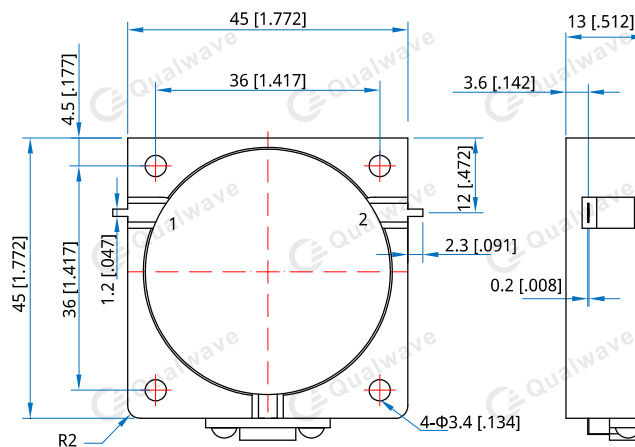
Description

QDI4545X series Drop-In Isolators cover frequency range 300~1100MHz. High power, high isolation and low insertion loss make it ideal for a lot of applications like amplifiers, transceivers, etc.

Specifications

Frequency (MHz)	Bandwidth (MHz)	Insertion Loss (dB Max.)	Isolation (dB Min.)	VSWR (Max.)	Fwd Power (W Max.)	Rev Power (W)	Temperature (°C)
300~420	20	0.30	23.0	1.20	500	10~100	-30~+70
300~420	30	0.40	20.0	1.25	500	10~100	-30~+70
300~420	120	0.60	18.0	1.30	500	10~100	-30~+70
316~366	50	0.20	30.0	1.15	500	10~100	-30~+70
400~470	70	0.40	20.0	1.25	500	10~100	-30~+70
400~500	30	0.30	23.0	1.20	500	10~100	-30~+70
400~500	100	0.40	20.0	1.25	500	10~100	-30~+70
500~700	50	0.40	20.0	1.25	500	10~100	-30~+70
500~700	150	0.50	18.0	1.30	500	10~100	-30~+70
700~900	200	0.40	20.0	1.25	500	10~100	-30~+70
700~1000	300	0.50	18.0	1.30	500	10~100	-30~+70
800~1000	200	0.40	20.0	1.20	500	10~100	-30~+70
800~1100	300	0.50	18.0	1.30	500	10~100	-30~+70

Outline Drawings



Unit: mm [inch] Tolerance: ±0.2mm [±0.008in]

Mechanical

Size*1:	45*45*13mm
	1.772*1.772*0.512in
Connector Type:	Strip line
Mounting:	4-Φ3.4mm through-hole

[1] Exclude connectors and terminations.

Direction Naming Rules:

- 1 - Clockwise
- 2 - Anticlockwise

How To Order**QDI4545X-V-W-X-Y-Z**

V: Start frequency in MHz
W: Stop frequency in MHz
X: Forward Power in W
Y: Reverse Power in W
Z: Direction type

Examples:

To order a QDI4545X series Isolator, 300~420MHz, Forward power 500W, Reverse power 10W, Clockwise, specify QDI4545X-300-420-K5-10-1.

Customization is available upon request.