

# QBDC-2000-4000-K4-40-NS

2~4GHz, 400W, 40dB

**Features:**  
 \* Broadband  
 \* High Power  
 \* Low Insertion Loss

**Applications:**  
 \* Amplifiers  
 \* Transmitter  
 \* Laboratory Test  
 \* Radar

## Electrical

Frequency:	2~4GHz
Insertion Loss:	0.5dB max.
Coupling:	40±1.5dB
VSWR:	1.3 max.
Average Power:	400W min.
Directivity:	10dB min.

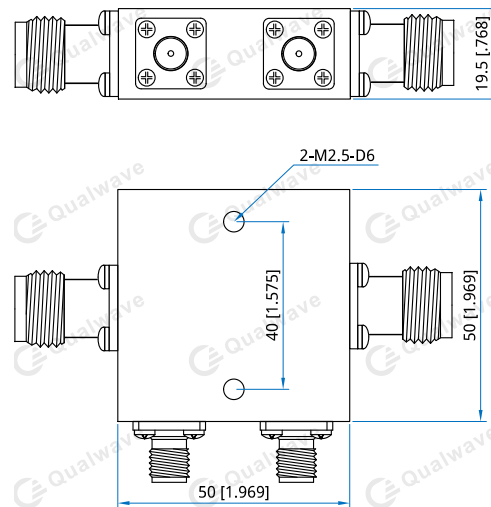
[1] Derated linearly to 0.5W@120°C.

## Mechanical

Size*1:	50*50*22.6mm 1.969*1.969*0.89in
Connectors:	SMA Female, N Female
Mounting:	2-M2.5, depth 6mm

[1] Exclude connectors.

## Outline Drawings



Unit: mm [in]  
 Tolerance: ±0.2mm [±0.008in]

## How To Order

**QBDC-2000-4000-K4-40-NS**

Customization is available upon request.