

QDDC-0.01-100-K5-50-NS

10KHz~100MHz, 500W, 50dB

Features:

* Low Insertion Loss

Applications:

* Amplifiers
* Transmitter
* Laboratory Test
* Radar

Electrical

Frequency:	10KHz~100MHz
Insertion Loss:	0.5dB max.
Coupling:	50±1dB
Coupling Flatness:	±0.5dB
Directivity:	16dB min.
VSWR (Mainline):	1.3 max.
Average Power:	500W max.

Mechanical

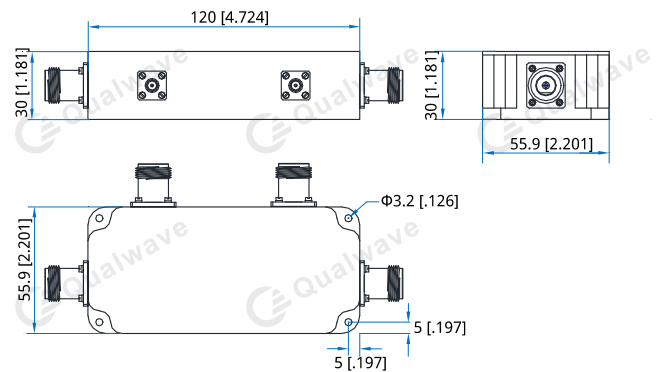
Size*1:	120*55.9*30mm 4.724*2.201*1.181in
RF Connectors:	N Female
Coupling Connectors:	SMA female
Mounting:	4-Φ3.2mm through-hole

[1] Exclude connectors

Environmental

Temperature:	-40~+85°C
--------------	-----------

Outline Drawings



Unit: mm [in]

Tolerance: ±0.3mm [±0.012in]

How To Order

QDDC-0.01-100-K5-50-NS

Customization is available upon request.