

QDDC-0.25-300-1K

0.25~300MHz, 1000W

Features:
* Low Insertion Loss

Applications:
* Amplifiers
* Transmitter
* Laboratory Test
* Radar

Electrical

Frequency:	0.25~300MHz
Insertion Loss:	0.5dB max.
Coupling:	50±2dB
Coupling Flatness:	±1dB max.
Directivity:	16dB min.
VSWR(Mainline):	1.2 max.
Average Power:	1000W

Mechanical

Size*1:	140*65*45mm 5.512*2.559*1.772in
Connectors:	N Female, SMA Female
Mounting:	4-Φ3.2mm through-hole

[1] Exclude connectors

Environmental

Temperature:	-40~+85°C
--------------	-----------

How To Order

QDDC-0.25-300-1K-X-Y

X: Coupling: 50

Y: Connector type

Connector naming rules:

N - N female (Outline A)

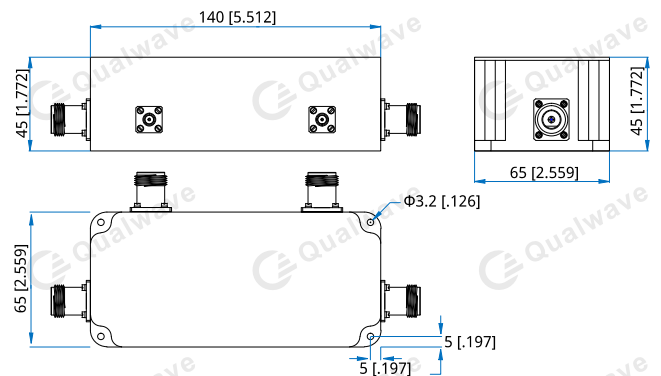
NS- N female & SMA female (Outline B)

Examples:

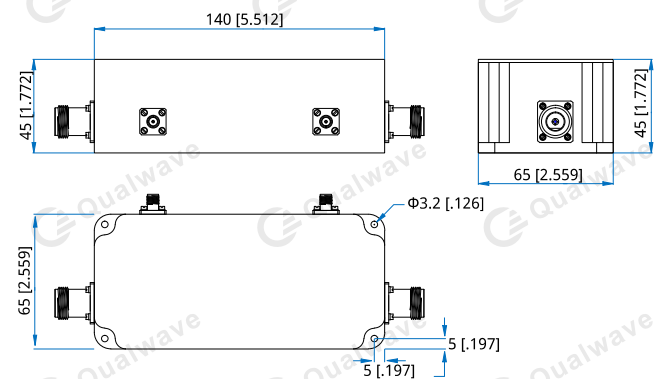
To order a dual directional coupler, 0.23~3MHz, 1000W, 50dB, N female, specify QDDC-0.25-300-1K-50-N.

Customization is available upon request.

Outline Drawings



Outline A



Outline B

Unit: mm [in]

Tolerance: ±0.3mm [±0.012in]